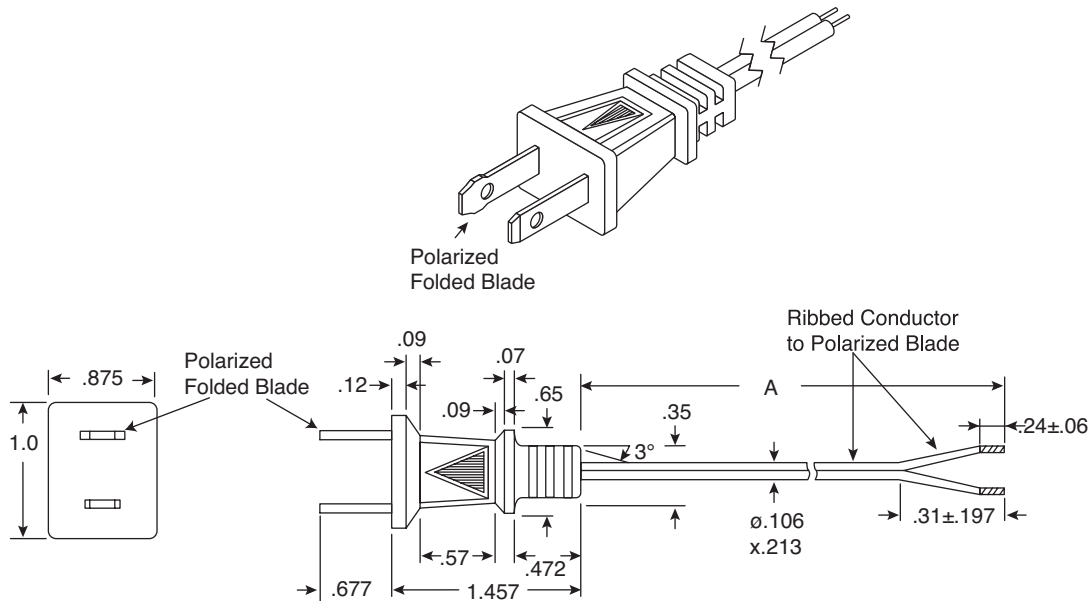


# AC Power Cords

173-11112-E, 173-11113-E,  
173-11115-E, 173-11116-E



AC Power Cords



**DIMENSIONS: in.**

MOUSER STOCK NO.	Color	Length (A)
173-11112-E	Black	72
173-11113-E	Black	120
173-11115-E	White	72
173-11116-E	White	120

SPECIFICATIONS	
<b>Type:</b>	Polarized, SPT-1, 18 AWG, 2 Conductor
<b>Stranding:</b>	41 x 34, Bare Copper
<b>Insulation:</b>	Coded PVC
<b>Plug:</b>	NEMA 1-15P
<b>Temperature:</b>	60°C to 105°C
<b>Rating:</b>	10A/125VAC, 1250 W
RoHS Compliant	

Date Last Revised: 04-11-12

Available from Mouser Electronics  
1-800-346-6873 / www.mouser.com

KC-301164

Specifications are subject to change without notice. No liability or warranty implied by this information. Environmental compliance based on producer documentation.

173-11112-E, 173-11113-E, 173-11115-E, 173-11116-E