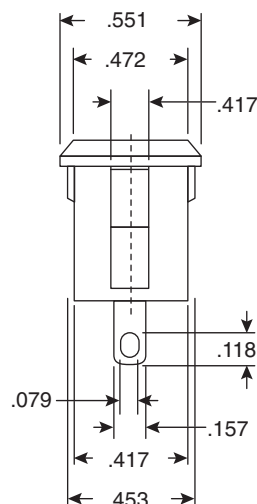
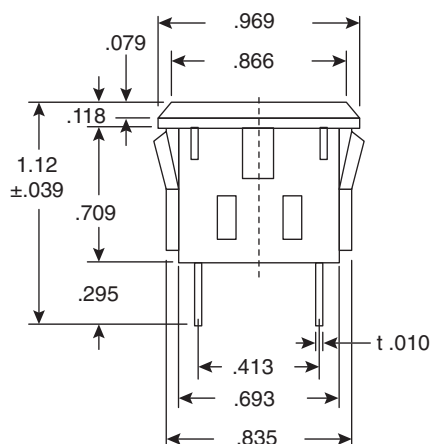
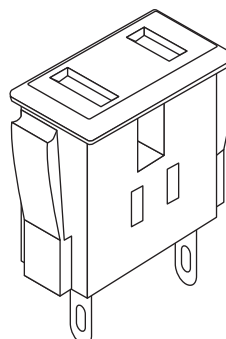
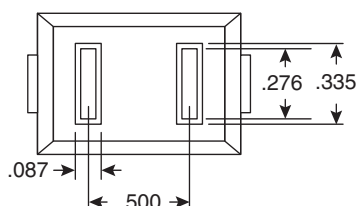


AC Receptacle

15AC037



AC Receptacle



Dimensions: In.

SPECIFICATIONS	
Type:	Snap-In Mount, Polarized, 2 Cond.
Panel Thickness:	.031 - .047
Mounting Hole:	.858±.012 x .457±.004
Rating:	15A/125VAC
Insulation Resistance:	100MΩ @ 500VDC
Voltage Breakdown:	1500VAC for 1 Minute
Retention of Plug:	1.36kg ~ 6kg
Operating Temperature:	-10°C ~ +55°C

Date Last Revised: 4-14-05

Available from Mouser Electronics
1-800-346-6873
www.mouser.com

KC-300447

15AC037