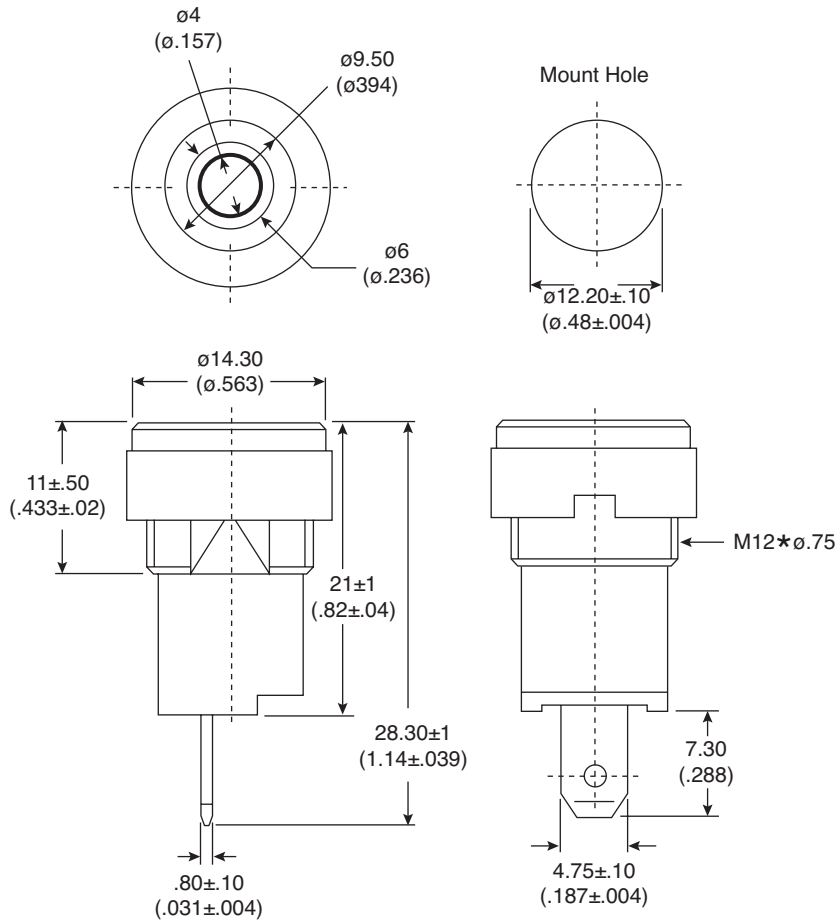


# Banana Jacks

164-R124R-EX, 164-R124B-EX



Banana Jacks



Dimensions: mm (in.)

## SPECIFICATIONS

<b>Rating:</b>	10A/125V AC
<b>Contact Resistance:</b>	50m $\Omega$ Max.
<b>Insulation Resistance:</b>	500VDC 100M $\Omega$ Min.
<b>Dielectric Strength:</b>	1000VAC 1 min.
<b>Temperature Range:</b>	-10°C to +80°C
RoHS Compliant by Exemption	

## MATERIALS

<b>Nut:</b>	Copper alloy, Ni-plating
<b>Terminal:</b>	Copper alloy, Ni-plating
<b>Housing:</b>	ABS

Date Last Revised: 3-6-07

Available from Mouser Electronics  
1-800-346-6873 / [www.mouser.com](http://www.mouser.com)

KC-301105

Specifications are subject to change without notice. No liability or warranty implied by this information. Environmental compliance based on producer documentation.

164-R124R-EX, 164-R124B-EX