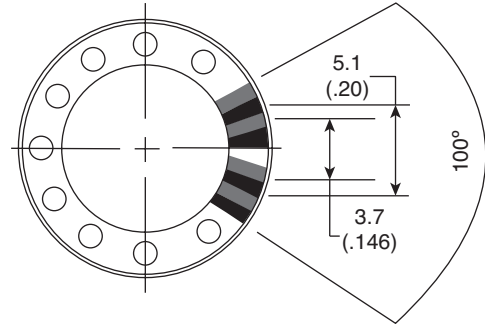


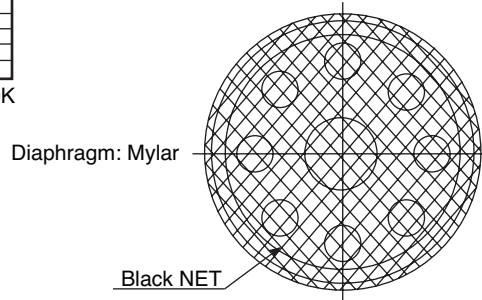
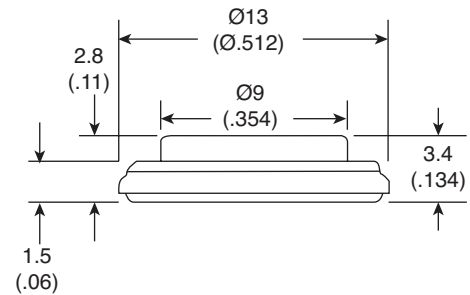
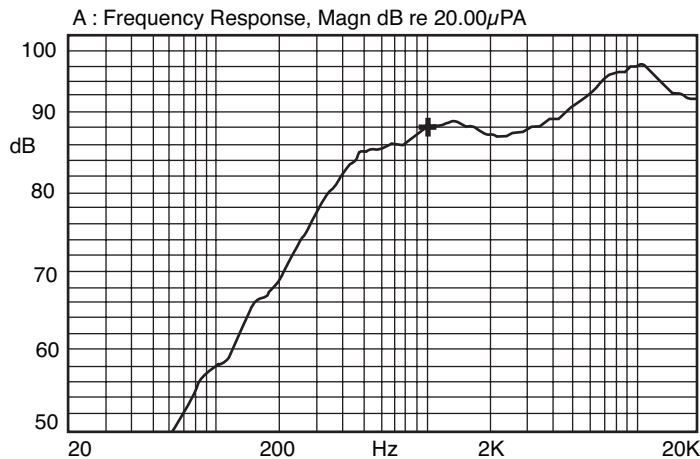
Part Number:

254-DS132-RO

Dynamic Speaker



Frequency Response Curve



KT-400568

Electrical Specifications:

- Rated Input Power: 0.5W
- Max. Input Power: Must be normal at 0.8W White Noise for 1 minute
- Impedance: 32Ω ± 15% at 2.5KHz
- Resonant Frequency (Fo): 1000Hz ± 20% at FO, 1V
- Frequency Range: Fo - 20KHz
- Sensitivity (S.P.L.): 82dB (0.1W/0.1m) ± 3dB
88dB (0.5W/0.1m) ± 3dB

Materials:

- Magnet: Nd-Fe-B

Note:

- RoHS Compliant

Soldering Specifications:

- Recommend using constant branding iron in 30W
- Temperature Range: 360±5°C for 2 seconds