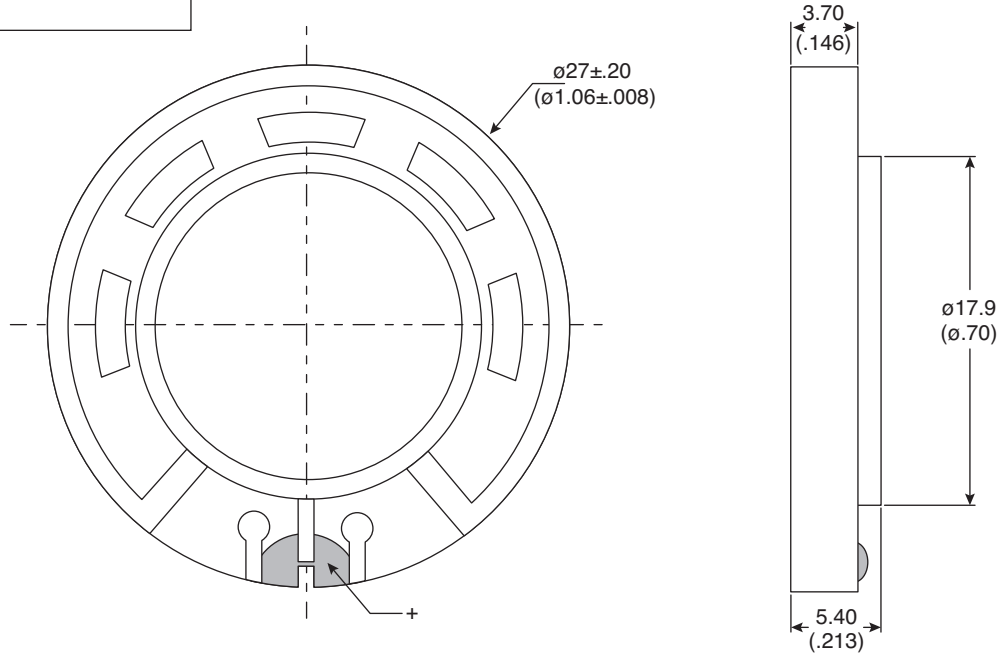
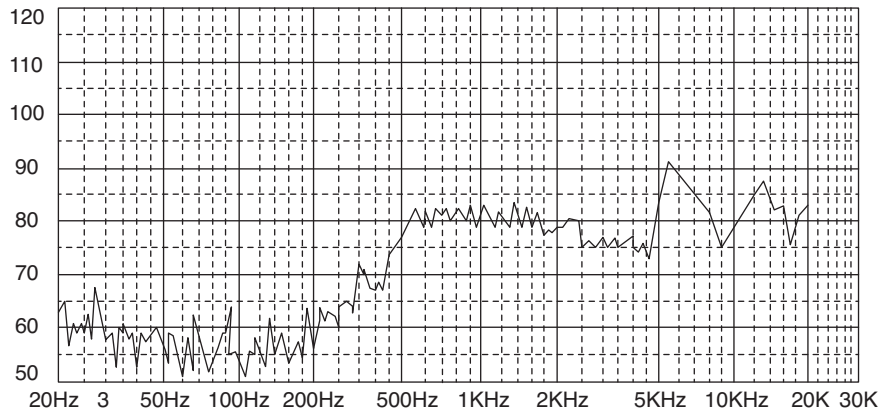


**Part Number:**

254-PS604-RO



**Speaker**



KT-400278

**Electrical Specifications:**

- Nominal Impedance: 32Ω ±15% @ 1400Hz/1.0V
- Power Rating: Normal 0.2W Maximum 0.5W
- Lowest Resonant Frequency: 680 ±150Hz
- Output Sound Pressure Level (S.P.L.): 80 ±3dB / 0.2W  
0.5 Meter. Avg at 1000 ~ 2000Hz
- Frequency Range: 400 ~ 7,000Hz average SPL-10 dB
- Distortion: Max. 5% at 1000Hz 0.2W

**Material:**

- Magnet: NdFeB
- Weight: 5.0g

**Note:**

- RoHS Compliant