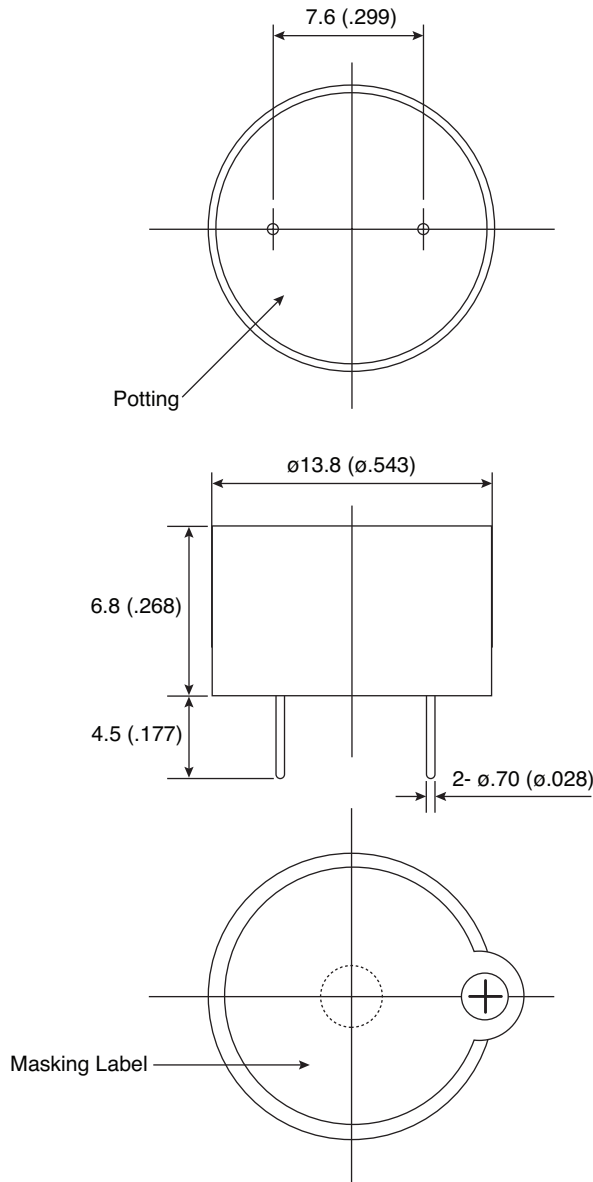


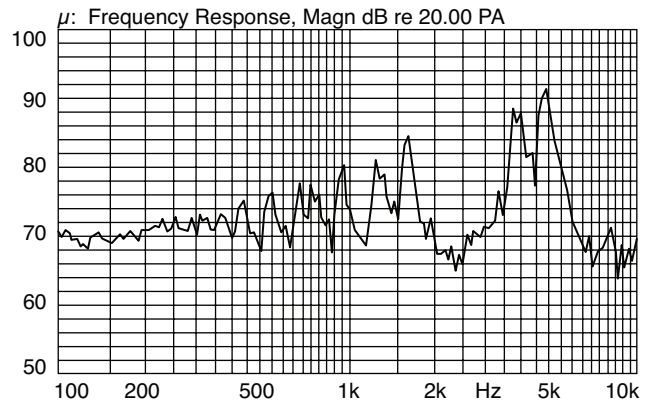
Part Number:

254-PB140-ROX

Piezoelectric Buzzer



Frequency Response Curve:



KT-400364

Electrical Specifications:

- Rated Voltage: 5Vp-p
- Rated Current: 5mA(max)
- Sound Output At 10cm: 80dBA(min)
- Resonant Frequency: 4000Hz±500
- Capacitance: 13000pF±30%

Note:

- RoHS Compliant by Exemption

Mechanical Specifications:

- Operating Temperature: - 20°C ~ +70°C
- Storage Temperature: - 30°C ~ +80°C