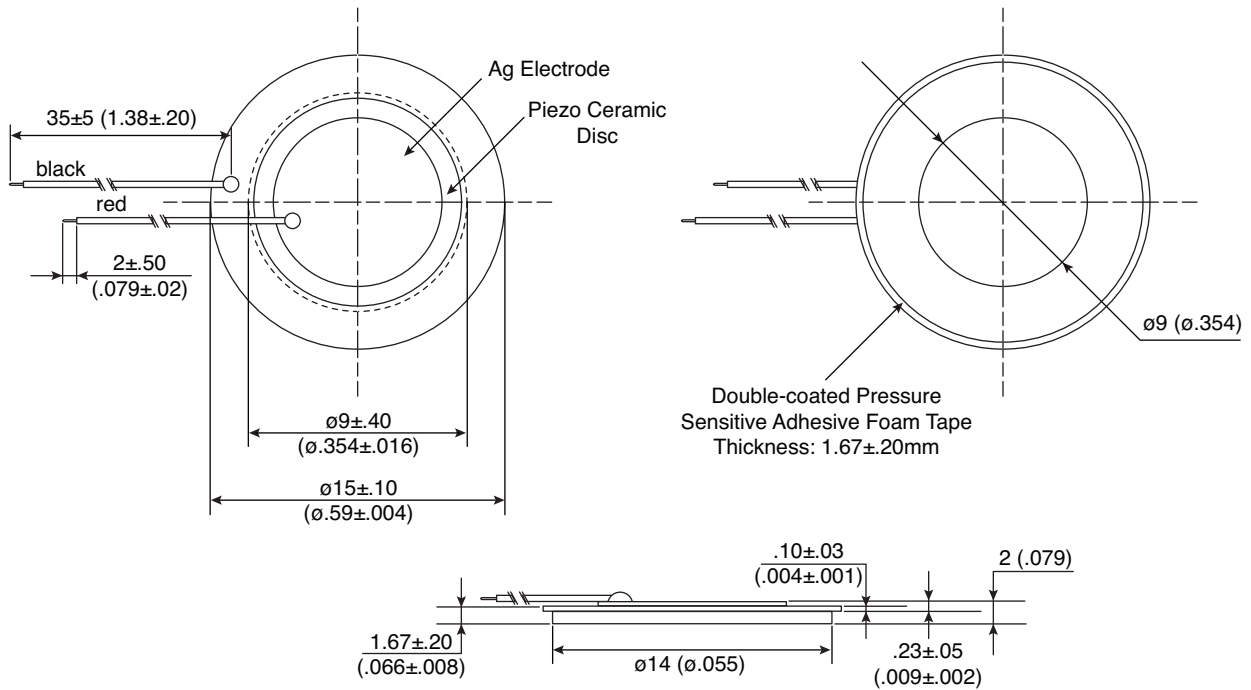


Part Number:

254-PB158-ROX

Dimensions: mm (in.)

Piezoelectric Buzzer Element



KT-400450

**Electrical Specifications:**

- Resonant Frequency: 5.8K Hz  $\pm$  0.5
- Resonant Impedance: 800 $\Omega$  (max.)
- Input Voltage: 30 Vp-p (max.)

**Materials:**

- Lead Wire: Awg32
- Plate: Brass

**Mechanical Specifications:**

- Type: External drive
- Operating Temperature: -20°C ~ +60°C
- Storage Temperature: -30°C ~ +70°C

**Note:**

- RoHS Compliant by exemption