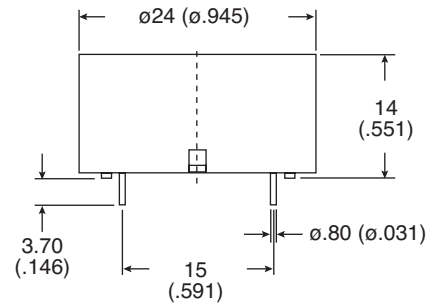
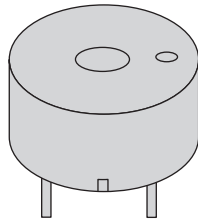
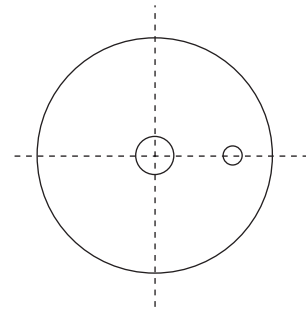
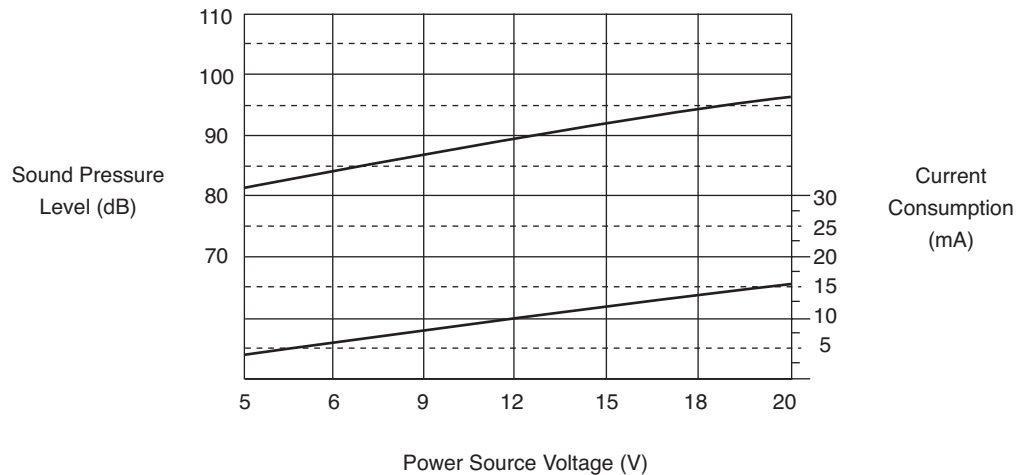


**Part Number:**

254-PB509-ROX



**Piezoelectric Buzzer  
(Self-Drive)**



KT-400266

**Electrical Specifications:**

- Sound Pressure Level: 83dB min. / 30cm / 9VDC
- Oscillating Frequency: 3.8±0.5KHz
- Current Consumption: 8mA max. / 9VDC
- Operating Voltage: 3 to 30VDC

**Materials:**

- Tone: Continuous
- Case: PC
- Weight: 3.6 gms

**Mechanical Specifications:**

- Operating Temperature: -20°C to +70°C
- Storage Temperature: -40°C to +85°C

**Note:**

- RoHS Compliant by exemption