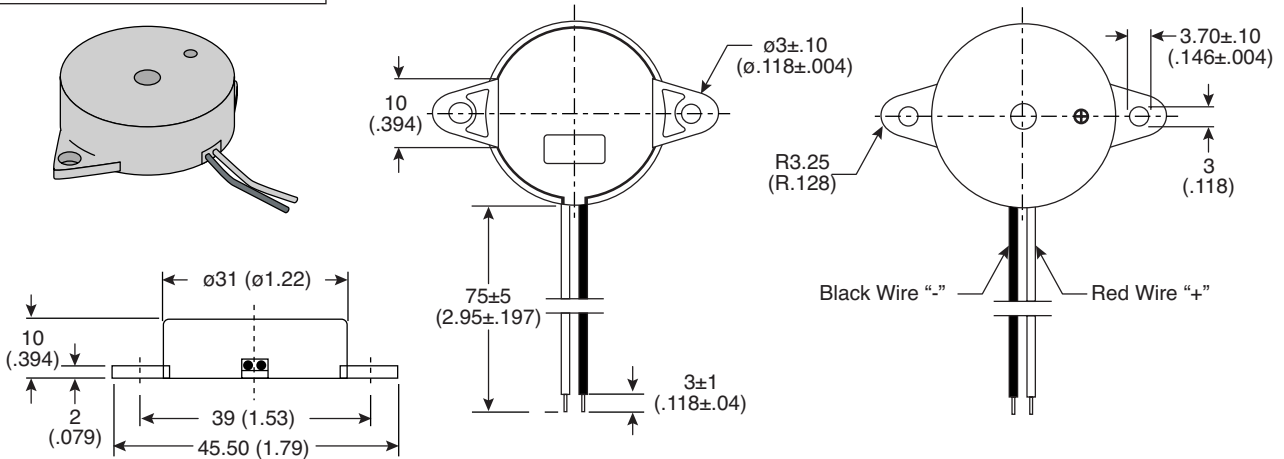
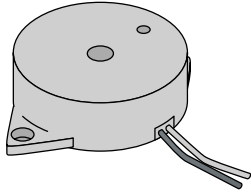
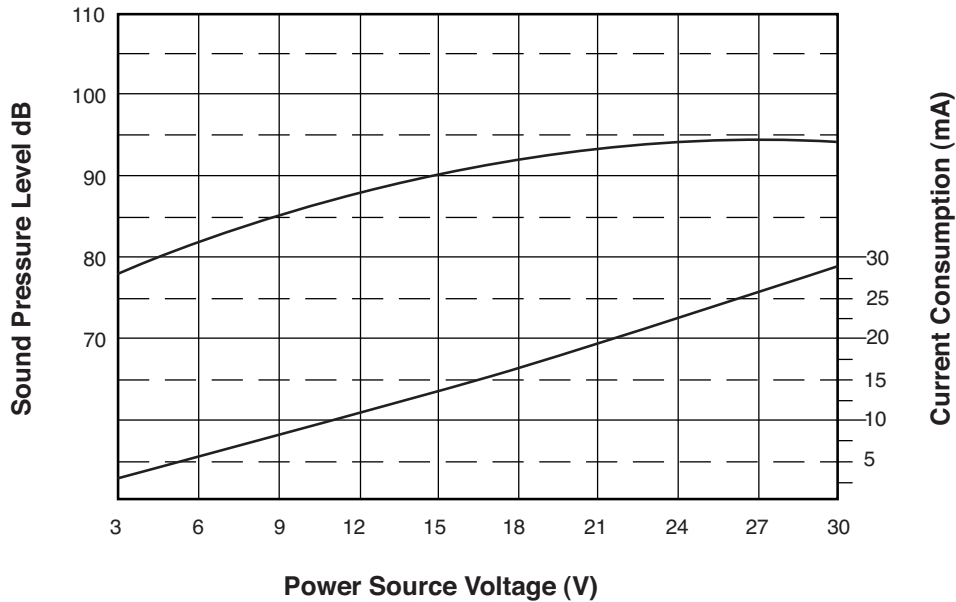


Part Number:

254-PB518-ROX



**Piezoelectric Buzzer
(Self-Drive)**



KT-400410

Mechanical Specifications:

- Operating Temperature: -30°C to $+70^{\circ}\text{C}$
- Storage Temperature: -40°C to $+85^{\circ}\text{C}$

Electrical Specifications:

- Sound Pressure Level: 85dB min./30cm./9VDC
- Oscillating Frequency: $3.5 \pm 0.5\text{KHz}$
- Current Consumption: 8mA max./9VDC
- Operating Voltage: 3 to 30VDC

Materials:

- Case: PBT
- Lead Wire: 28AWG
- Weight: 7 grams
- Tone: Continuous

Note:

- RoHS compliant by exemption