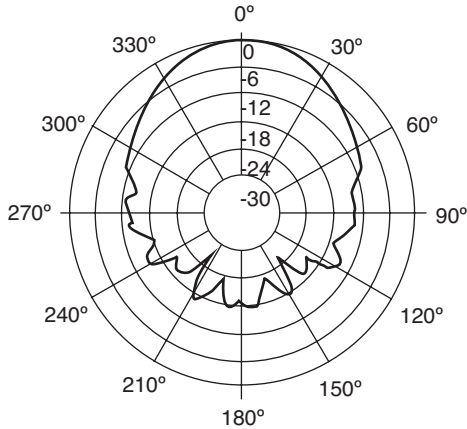


Part Number:

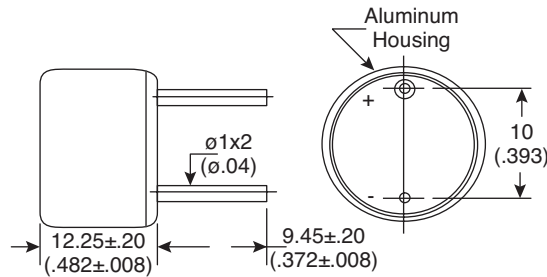
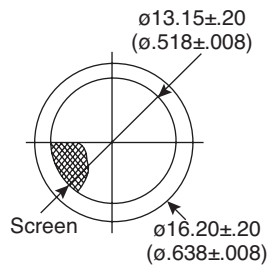
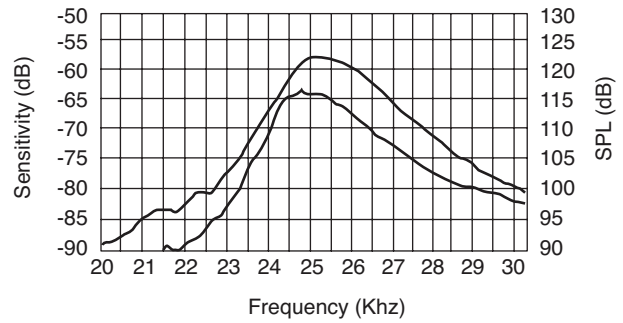
255-250ST16P-ROX,
255-250SR16P-ROX

Ultrasonic Transducers

Beam Angle
Tested at 25.0Khz Frequency



Sensitivity/Sound Pressure Level
Tested under 10Vrms @ 30cm



KT-400315

Electrical Specifications:

- Center Frequency: 25.0±1.0KHz
- Sensitivity: 255-250SR16P-ROX = -62dB min. @ 25KHz (0dB=1 Volt/ μ bar)
- Capacitance: 2400±20%pF @ 1KHz
- SPL: 255-250ST16P-ROX= 112dB min. @ 25KHz (0dB = 0.0002 μ bar)

Mechanical Specifications:

- Type: Transmitter: 255-250ST16P-ROX
Receiver: 255-250SR16P-ROX
- Operating Temperature: -30°C to +70°C
- Storage Temperature: -40 to -80°C

Note:

- RoHS Compliant by Exemption