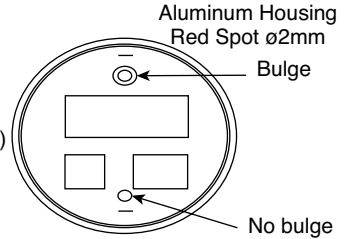
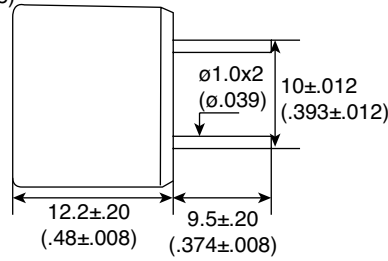
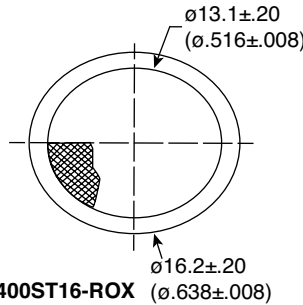
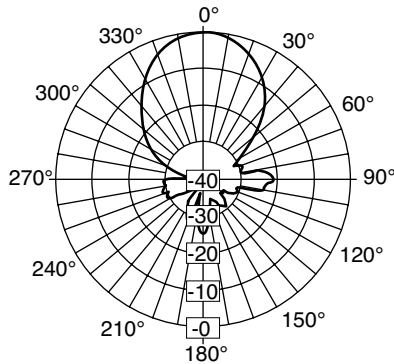


**Part Number:**

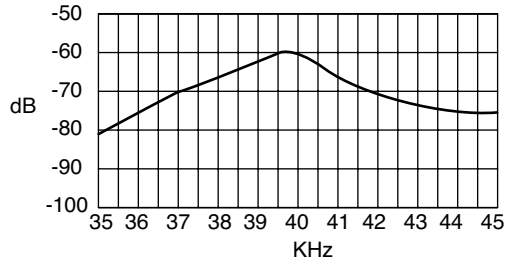
255-400ST16-ROX  
255-400SR16-ROX



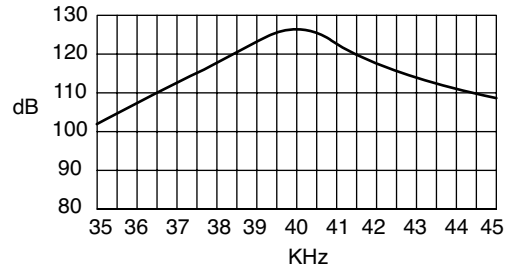
**Directivity for 255-400ST16-ROX**



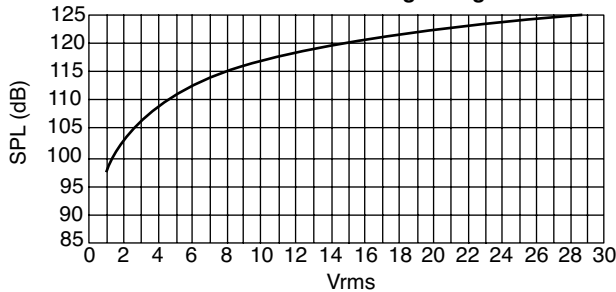
**Sensitivity For 255-400SR16-ROX**



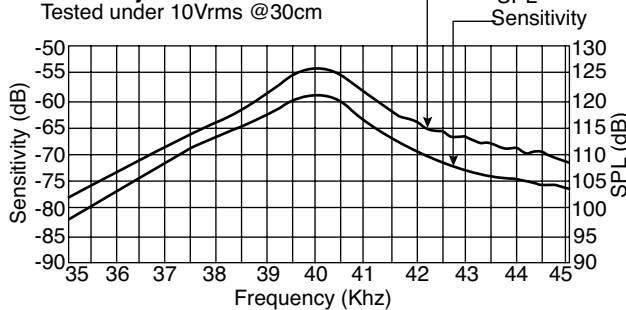
**Sound Pressure for 255-400ST16-ROX**



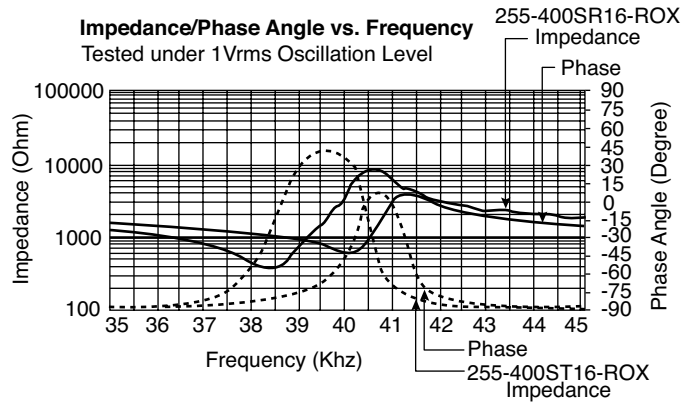
**SPL Variation vs. Driving Voltage**



**Sensitivity/Sound Pressure Level**  
Tested under 10Vrms @30cm



**Impedance/Phase Angle vs. Frequency**  
Tested under 1Vrms Oscillation Level



**Electrical Specifications:**

- Center Frequency ( $f_0$ ): 40.0KHz±1.0KHz
- SPL @  $f_0$  for 255-400ST16-ROX: 120dB at 40KHz @ 0dB re 0.0002 $\mu$  bar
- Sensitivity @  $f_0$  for 255-400SR16-ROX: -65dB (0dB=1V/ $\mu$  bar)
- Bandwidth (-6dB): 255-400ST16-ROX - 2KHz; 255-400SR16-ROX - 2.5KHz
- Allowable Input Power: 0.2W
- Capacitance: 2,400pF±20%

**Mechanical Specifications:**

KT-400244

- Type: Transmitter - 255-400ST16-ROX;  
Receiver - 255-400SR16-ROX
- Operating Temperature: -30°C ~ +85°C
- Storage Temperature: -40°C ~ +80°C

**Note:**

- RoHS Compliant by Exemption