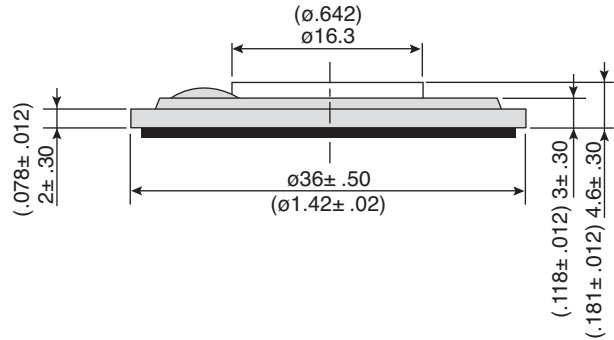
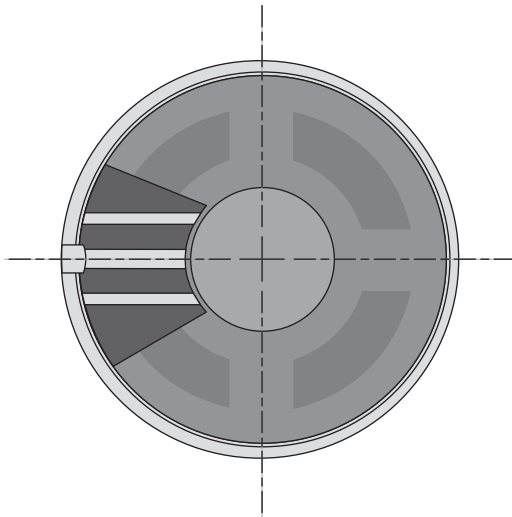


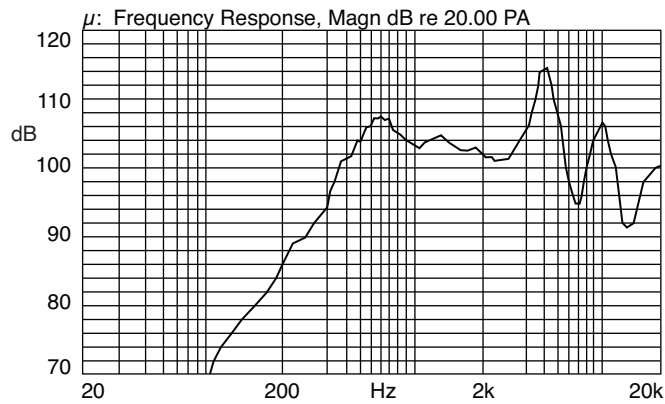
**Part Number:**

254-DS368-RO



**Dynamic Speaker**

**Frequency Response Curve:**



KT-400343

**Electrical Specifications:**

- Rated Input Power: 1.0 W
- Max. Input Power: Must be normal at 1.2W white noise for 1 minute.
- Impedance:  $8\Omega \pm 15\%$  at 2000Hz
- Resonant Frequency (Fo):  $550\text{Hz} \pm 20\%$  at Fo, 1V
- Frequency Range: Fo – 6KHz

**Material:**

- Magnet: NdFeB

**Note:**

- RoHS Compliant