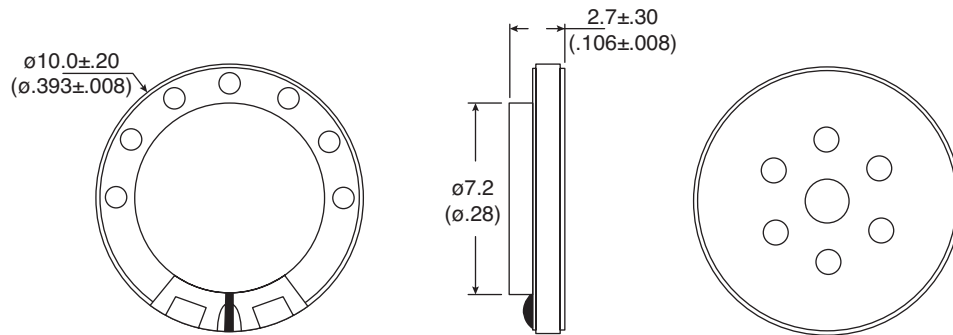
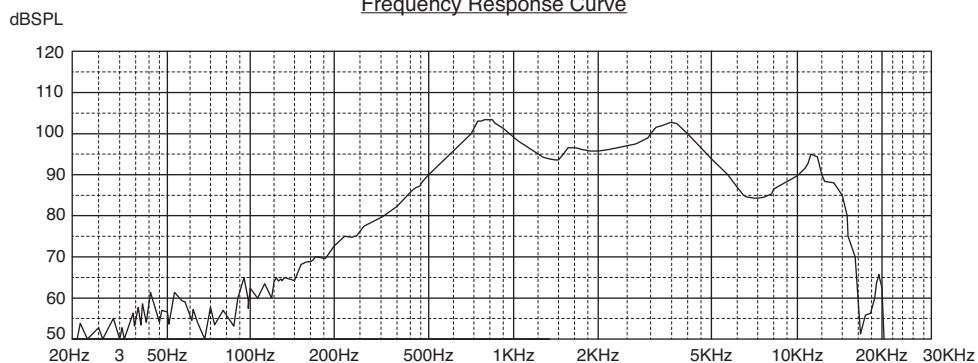


Part Number:

254-PS1032-RO



Frequency Response Curve



Speaker

KT-400557

Electrical Specifications:

- Nominal Impedance: $32\Omega \pm 15\%$ at 1200Hz
- Power Rating: Normal 0.01W, Maximum 0.02W
- Lowest Resonant Frequency: 700 ± 150 Hz
- Output Sound Pressure Level: 97 ± 3 dB/0.01W/0.01 Meter
Average at 1000~2000Hz
- Frequency Range: 400~6000Hz, Average SPL -20dB
- Distortion: 5% Maximum at 1000Hz/0.01W

Mechanical Specifications:

- Operating Temperature: -25°C to $+50^{\circ}\text{C}$
- Storage Temperature: -25°C to $+55^{\circ}\text{C}$

Materials:

- Magnet: Rare Earth
- Diaphragm: Mylar

Notes:

- RoHS Compliant