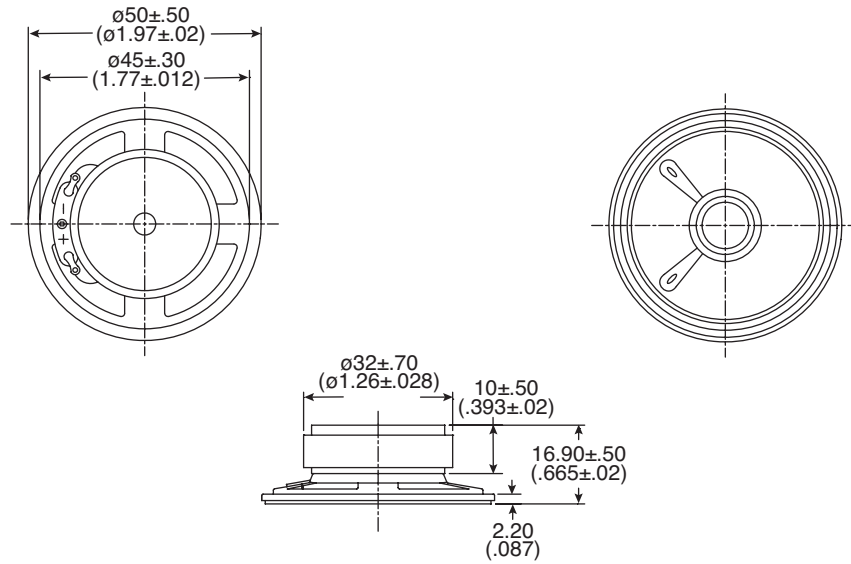
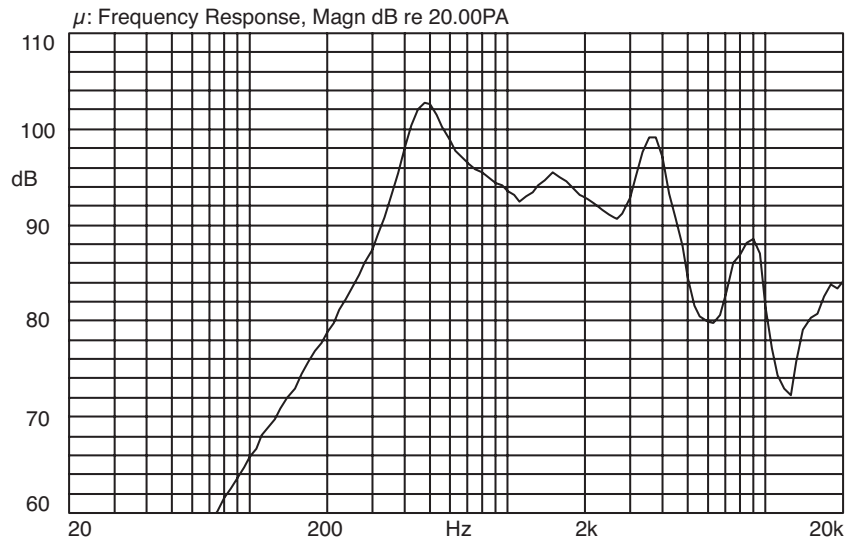


**Part Number:**

254-DS5084-RO



Dynamic Speaker



KT-400544

**Electrical Specifications:**

- Rated Input Power: 0.25W
- Impedance:  $8\Omega \pm 15\%$  at 0.7K Hz
- Resonance Frequency:  $450\text{Hz} \pm 20\%$  at  $F_0$ , 1V
- Sensitivity (S.P.L.): 83 dB (W/m)  $\pm 3$  dB  
96 dB (0.25W/0.1m)  $\pm 3$  dB
- Frequency Range:  $F_0$ -4.5KHz

**Material:**

- Magnet: Ferrite

**Note:**

- RoHs Compliant