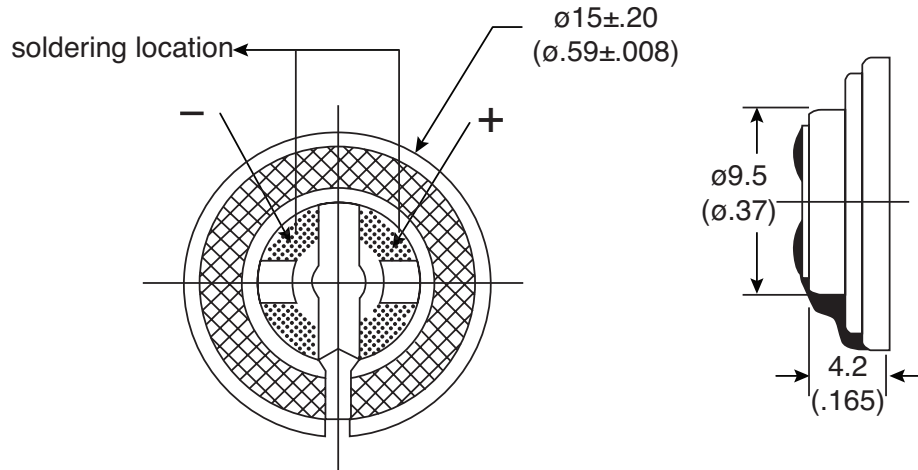
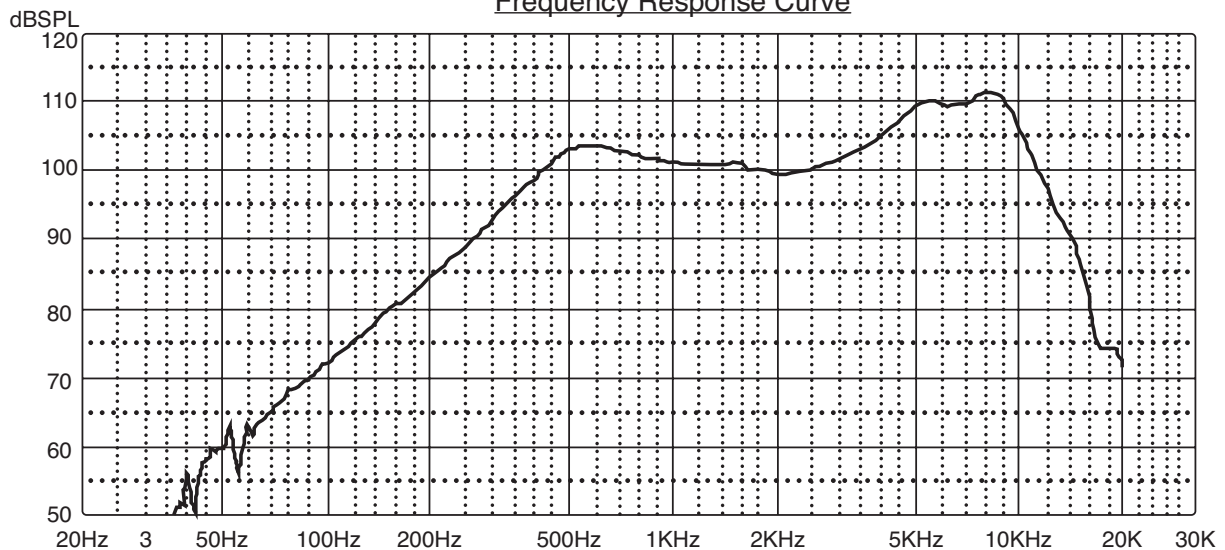


**Part Number:**

254-PS1515-RO



Frequency Response Curve



Speaker

KT-400559

**Electrical Specifications:**

- Nominal Impedance:  $150\Omega \pm 15\%$  at 1600Hz
- Power Rating: Normal 0.03W Maximum 0.05W
- Lowest Resonant Frequency:  $500 \pm 150$ Hz
- Output Sound Pressure Level (S.P.L):  $99 \pm 3$ dB 0.03W 0.01Meter Average at 1000,1200,1500,2000Hz
- Frequency Range: 380~20,000Hz Average SPL-10dB
- Distortion: 5% Maximum at 1200Hz 0.03W

**Material:**

- Magnet: NdFeB
- Weight: Approx. 1.7 Grams

**Mechanical Specifications:**

- Operating Temperature:  $-25^{\circ}\text{C}$  to  $+50^{\circ}\text{C}$
- Storage Temperature:  $-25^{\circ}\text{C}$  to  $+55^{\circ}\text{C}$

**Notes:**

- RoHS Compliant