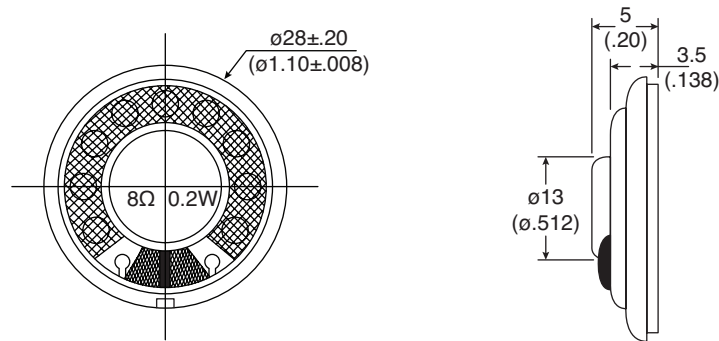
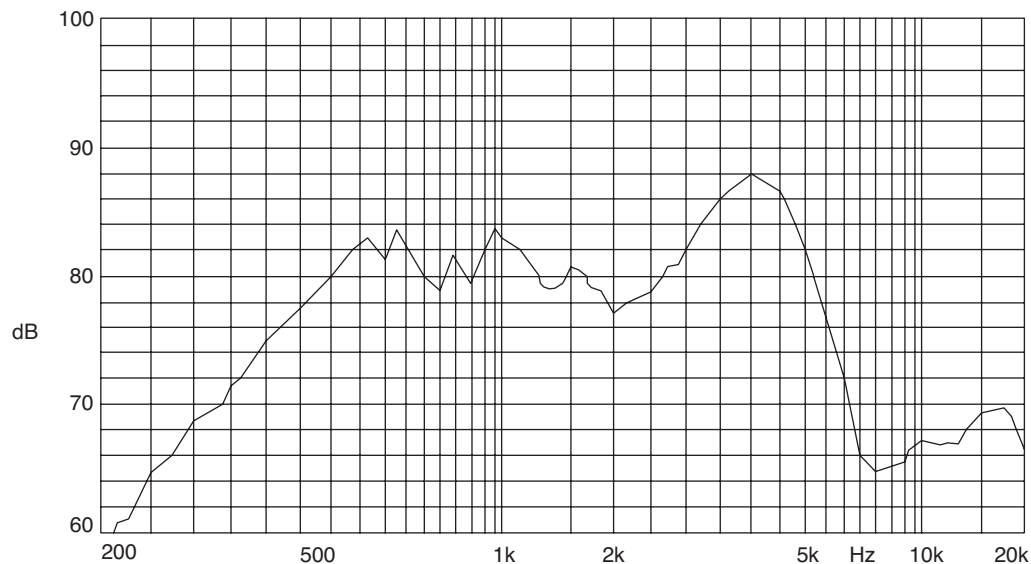


**Part Number:**

254-PS2808-RO

Frequency Response, Magn dB re 20.00 $\mu$ Pa

Speaker

KT-400561

**Electrical Specifications:**

- Nominal Impedance:  $8\Omega \pm 20\%$  at 1200Hz/1.0V
- Power Rating: Normal 0.2W, Maximum 0.5W
- Lowest Resonant Frequency:  $650 \pm 150$ Hz
- Output Sound Pressure Level:  $81 \pm 3$ dB/0.2 Watt, 0.5 Meter  
Average at 1000, 1200, 1500, 2000Hz
- Frequency Range: 350~6500Hz, Average SPL -10dB

**Mechanical Specifications:**

- Operating Temperature:  $-25^{\circ}\text{C}$  to  $+50^{\circ}\text{C}$
- Storage Temperature:  $-25^{\circ}\text{C}$  to  $+55^{\circ}\text{C}$

**Materials:**

- Magnet: NdFeB
- Weight: ~6.0 grams

**Notes:**

- RoHS Compliant