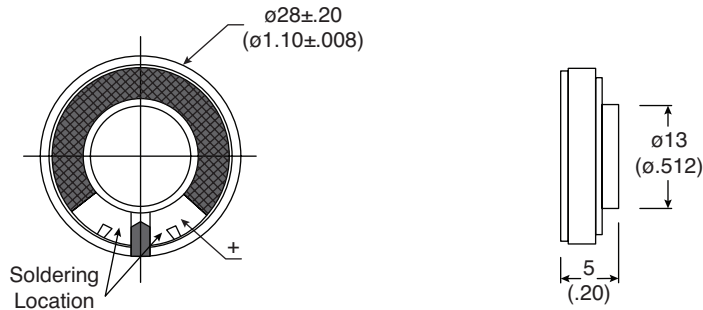
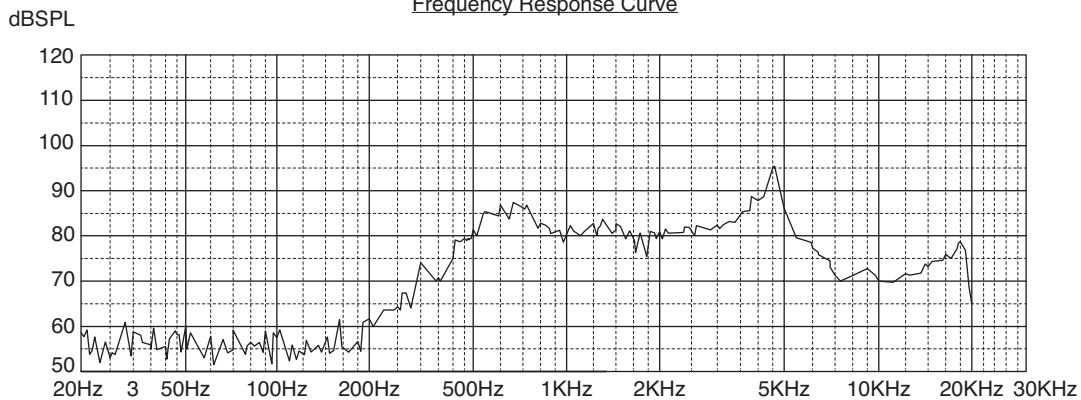


Part Number:

254-PS2832-RO



Frequency Response Curve



Speaker

KT-400560

Electrical Specifications:

- Nominal Impedance: $32\Omega \pm 15\%$ at 1400Hz
- Power Rating: Normal 0.2W, Maximum 0.5W
- Lowest Resonant Frequency: 650 ± 150 Hz
- Output Sound Pressure Level: 81 ± 3 dB/0.2Watt 0.5Meter
Average at 800, 1000,
1200, 1500Hz
- Frequency Range: 350~8000Hz, Average SPL -10dB

Mechanical Specifications:

- Operating Temperature: -25°C to $+50^{\circ}\text{C}$
- Storage Temperature: -25°C to $+55^{\circ}\text{C}$

Materials:

- Magnet: NdFeB
- Weight: Approx 5.8 Grams

Notes:

- RoHS Compliant