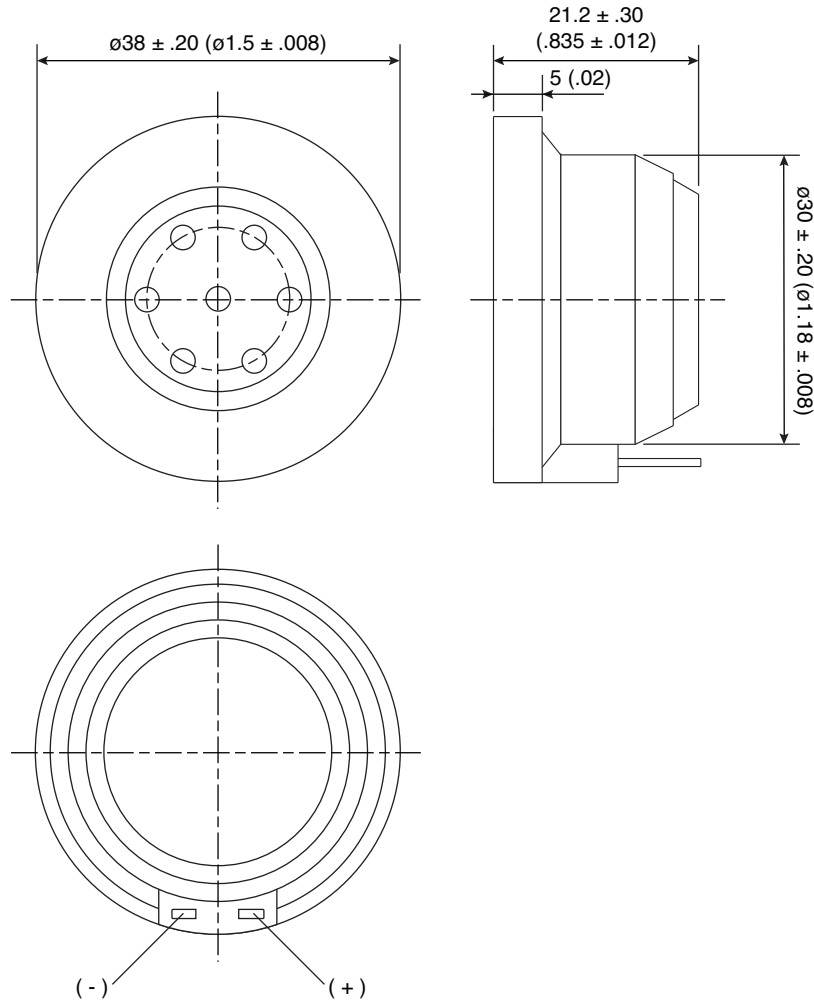


Part Number:

254-DR150-RO

Dynamic Receiver



KT-400327

**Electrical Specifications:**

- Impedance:  $150\Omega \pm 20\%$
- Nominal Input Power: 20mW
- Max Input Power: 50mW for 1 minute
- Sensitivity: 93dB

**Note:**

- RoHS Compliant