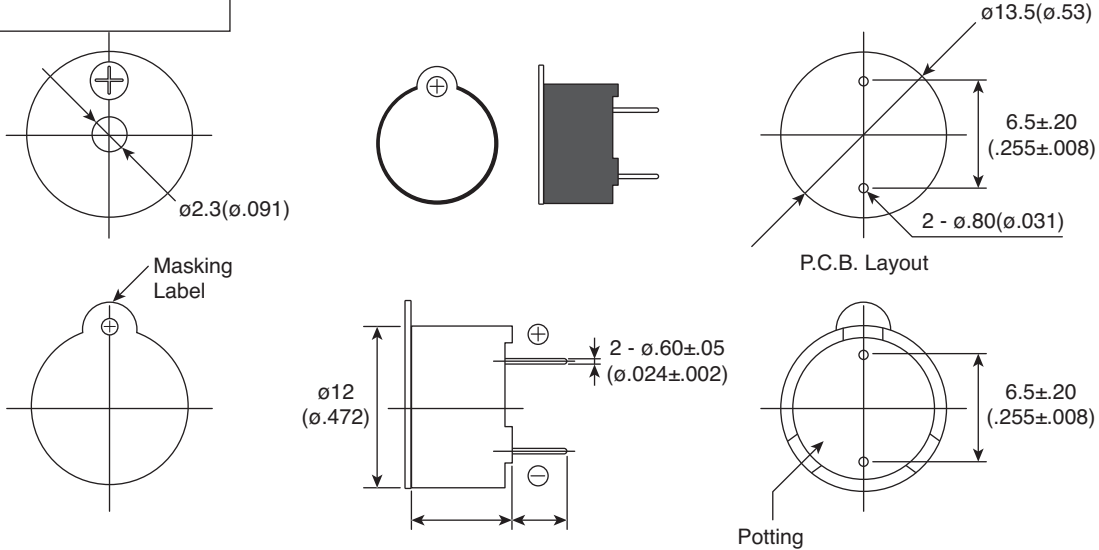
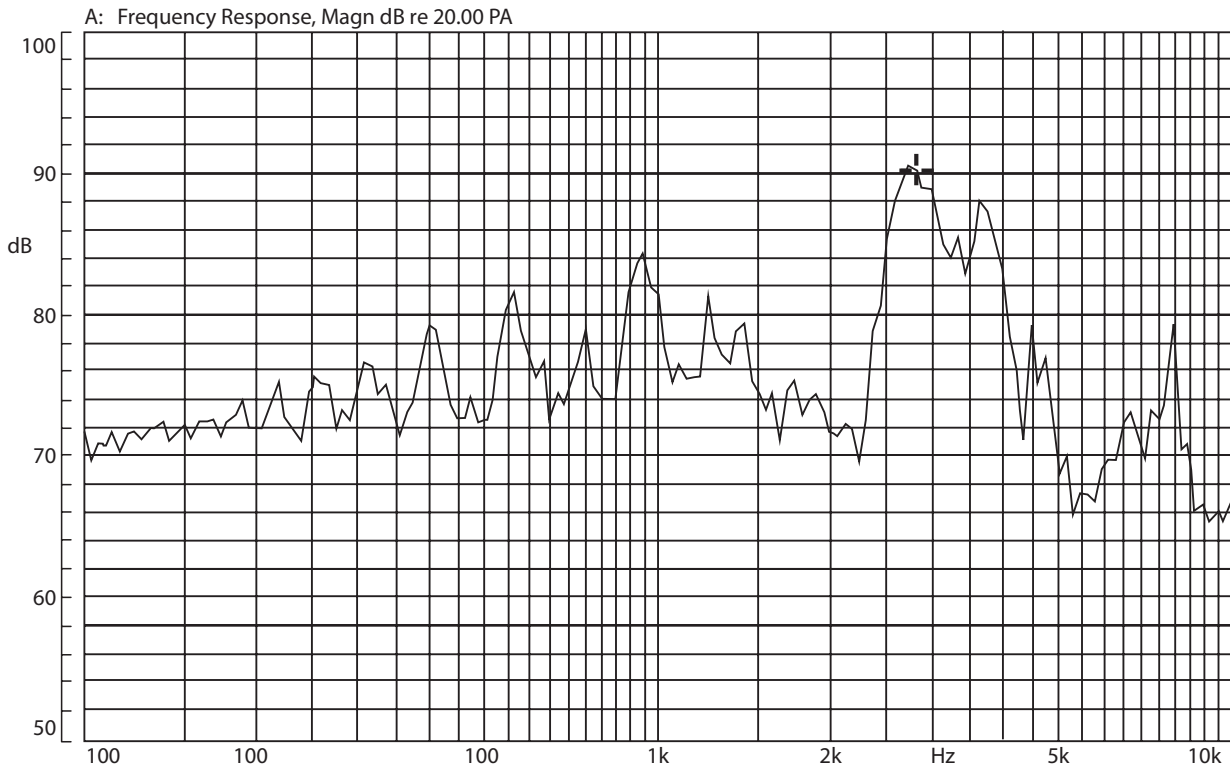


Part Number:

254-EMB120-RO



Magnetic Buzzer



Electrical Specifications:

- Rated Voltage: 1.5 Vo-p
- Operating Voltage: 1.0~2.0 Vo-p
- Mean Current: 40 mA (max.)
- Direct Current Resistance: $16 \pm 2.4 \Omega$
- Sound Output: 85 dBA (min.)
- Rated Frequency: 2800

Mechanical Specifications:

- Operating Temperature: $-40^{\circ}\text{C} \sim +85^{\circ}\text{C}$
- Storage Temperature: $-50^{\circ}\text{C} \sim +95^{\circ}\text{C}$

Note:

- RoHS Compliant

KT-400464