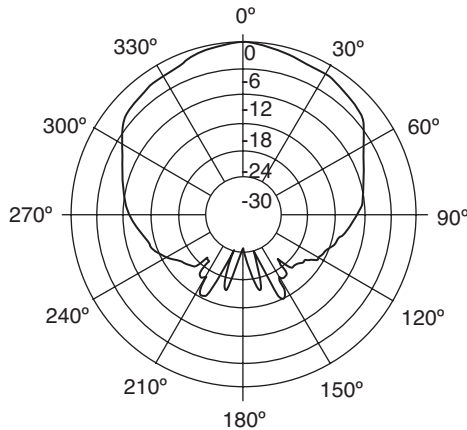


**Part Number:**

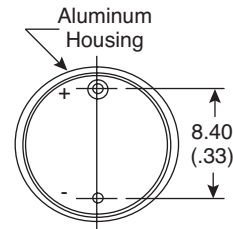
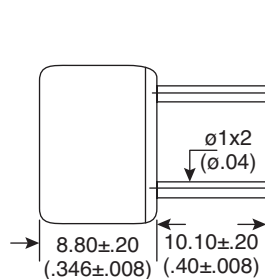
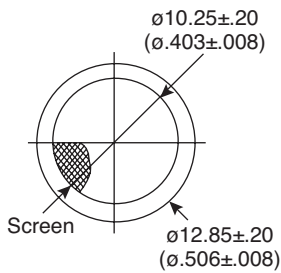
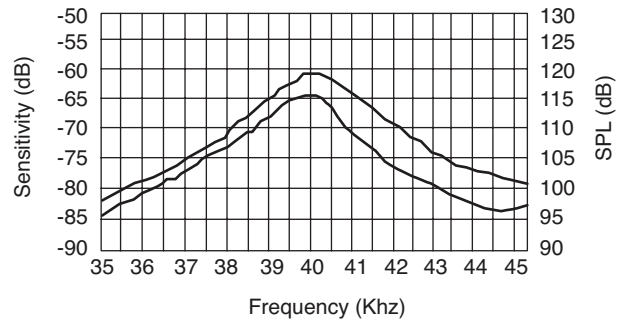
255-400ST12P-ROX,  
255-400SR12P-ROX

Ultrasonic Transducers

**Beam Angle**  
Tested at 40.0Khz Frequency



**Sensitivity/Sound Pressure Level**  
Tested under 10Vrms @ 30cm



KT-400316

**Electrical Specifications:**

- Peak Frequency: 40.0±1.0KHz
- Sensitivity@fo: 255-400SR12P-ROX = -67dB min (0dB=1 Volt/ $\mu$ bar)
- Bandwidth: 2KHz @ -6dB
- Capacitance: 2400±20%pF @ 1KHz

- SPL@fo: 255-400ST12P-ROX = 115dB min (0dB = 0.0002 Volt/ $\mu$ bar)

**Mechanical Specifications:**

- Type: Transmitter - 255-400ST12P-ROX  
Receiver: 255-400SR12P-ROX
- Operating Temperature: -30°C to +70°C
- Storage Temperature: -40°C to -80°C

**Note:**

- RoHS Compliant by Exemption