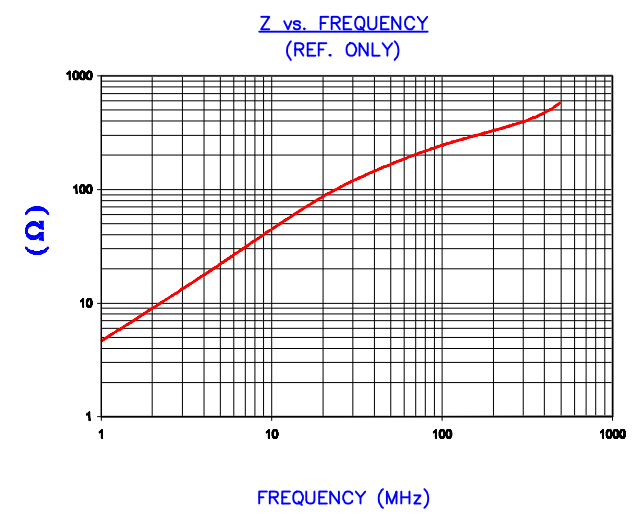


CORE DIMENSIONS:

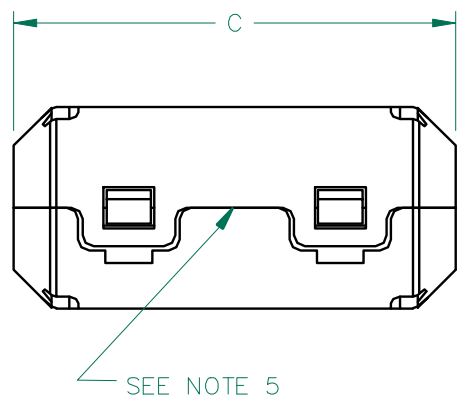
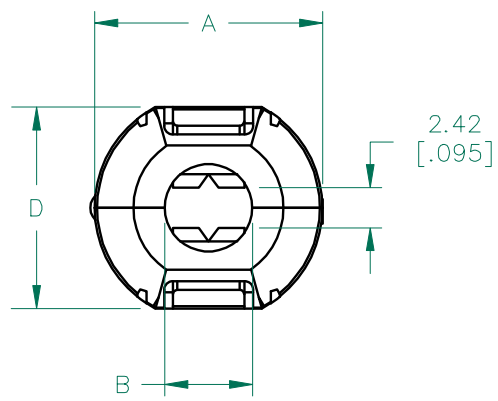
A	9.96 [.392]	±	0.15 [.006]
B	3.51 [.138]	±	0.13 [.005]
C	20.00 [.787]	±	0.25 [.010]
D	4.54 [.179]	±	0.13 [.005]

UNCONTROLLED DOCUMENT

IMPEDANCE (Z)			
Frequency	25 MHz	100 MHz	300 MHz
Nominal (REF)	100 Ω	240 Ω	400 Ω
Minimum	- Ω	192 Ω	- Ω



AGILENT E4991A Impedance/Material Analyzer
HP 16082A-Test Fixture REF 3399



NOTES:

1. ASSEMBLED PART #: 28A0350-0B2.
2. CASE COLOR: BLACK-0B2.
3. CASE MATERIAL: DUPONT 101L PA66 NYLON OR EQUIVALENT MATERIAL.
4. FLAMMABILITY RATE: UL94 V-2.

CASE DIMENSIONS:

A	13.00 [.512]	±	1.00 [.039]
B	4.90 [.193]	±	1.00 [.039]
C	25.50 [1.004]	±	1.00 [.039]
D	11.70 [.460]	±	1.00 [.039]
E	2.42 [.095]	±	REF.

DIMENSIONS ARE IN mm [INCHES].				This print is the property of Laird Tech. and is loaned in confidence subject to return upon request and with the understanding that no copies shall be made without the written consent of Laird Tech. All rights to design or invention are reserved.		Laird TECHNOLOGIES	
J	ADD NOTES 3 AND 4	06/28/12	Jcai	PROJECT/PART NUMBER:		REV	DRAWN BY:
H	UPDATED APPEARANCE AND DIMENSIONS TO REFLECT ACTUAL CASE PROFILE	10/28/10	JUN	28A0350-0B2		J	JRK
G	UPDATE CASE DIMENSION TOLERANCES UPDATE COMPANY LOGO	07/18/08	TMB	DATE: 01/15/03		SCALE: 1.5 : 1	MATERIAL:
F	UPDATE MIN Z SPEC @ 100 MHZ	04/17/07	TMB	CAD # 28A0350-0B2-J		TOOL # -	FERRITE
E	UPDATE COMPANY LOGO	04/17/07	TMB				
REV	DESCRIPTION	DATE	INT				