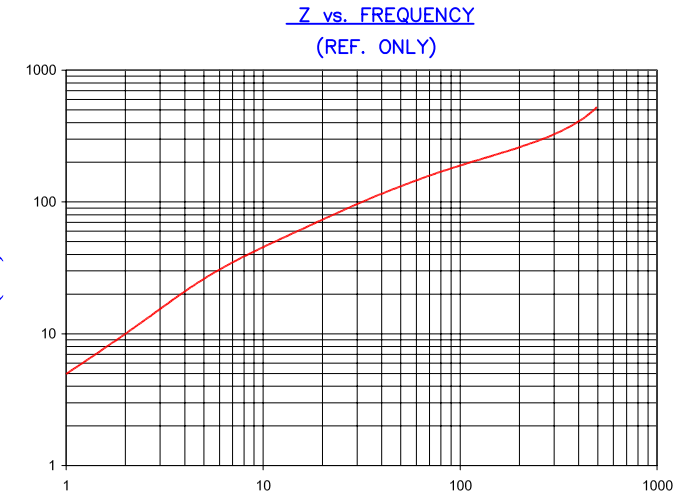


IMPEDANCE (Z)			
Frequency	25 MHz	100 MHz	300 MHz
Nominal (REF)	75 Ω	170 Ω	320 Ω
Minimum	- Ω	136 Ω	- Ω

FERRITE CORE DIMENSIONS:

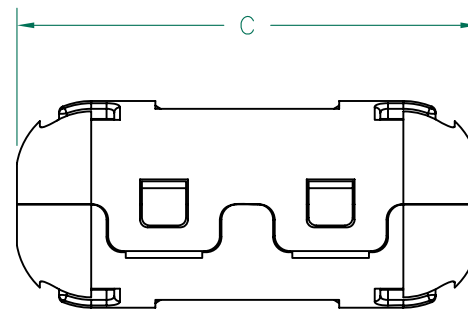
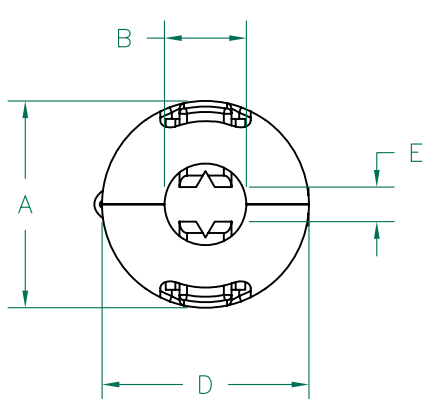
A	9.96 [.392]	+	0.15 [.006]
B	4.88 [.192]	+	0.13 [.005]
C	20.50 [.807]	+	0.25 [.010]
D	4.14 [.163]	+	0.13 [.005]

UNCONTROLLED DOCUMENT



Z vs. FREQUENCY
(REF. ONLY)

AGILENT E4991A Impedance/Material Analyzer
HP 16092A-Test Fixture REF 3219



NOTES:

1. ASSEMBLED PART #: 28A0392-0A2
2. CASE COLOR: BLACK
3. CASE FLAMMABILITY RATING: UL94 V-2.
4. CASE MATERIAL: Halogen Free Nylon

CASE DIMENSIONS:

A	13.72 [.540]	+	REF.
B	5.44 [.214]	+	REF.
C	30.56 [1.203]	+	REF.
D	13.72 [.540]	+	REF.
E	2.29 [.090]	+	REF.

DIMENSIONS ARE IN mm [INCHES].				This print is the property of Laird Tech. and is loaned in confidence subject to return upon request and with the understanding that no copies shall be made without the written consent of Laird Tech. All rights to design or invention are reserved.			
J	UPDATED NOTE 3	09/15/10	JUN	28A0392-0A2 PROJECT/PART NUMBER: DATE: 06/25/04 CAD # 28A0392-0A2-J SCALE: NTS TOOL # - MATERIAL: NiZn Ferrite			
H	UPDATE LOGO ADD NOTES 3&4	01/26/09	JRK				
G	UPDATE 100MHz MINIMUM VALUE	06/26/07	TMB				
F	UPDATE COMPANY LOGO	04/17/07	TMB				
E	ADD DIMENSION E TO CASE CALLOUT	02/05/07	TMB				
D	CHANGE CASE TOLERANCES TO REF REMOVE CORE & CASE REF REVISE NOTES	07/27/06	TMB				
C	UPDATE CORE AND CASE DESIGN REVISE NOTES	09/23/05	TMB	REV: J	PART TYPE: FERRITE SNAP ON	DRAWN BY: JRK	
REV	DESCRIPTION	DATE	INT				