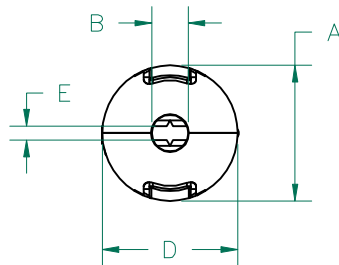
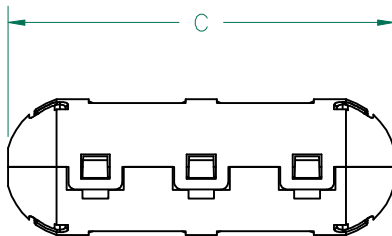
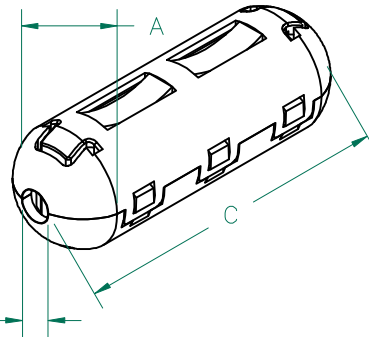


**CORE DIMENSIONS:**

A	15.00 [.591]	+ 0.23 [.009]	-
B	4.50 [.177]	+ 0.08 [.003]	-
C	39.78 [1.566]	+ 0.51 [.020]	-
D	7.16 [.282]	+ 0.15 [.006]	-



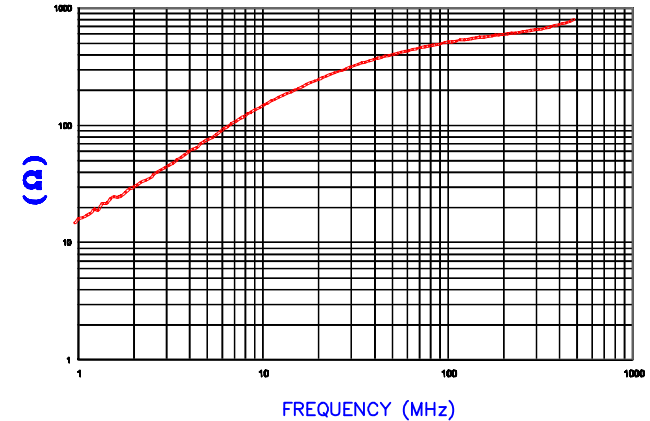
**CASE DIMENSIONS:**

A	18.75 [.738]	+ REF.	-
B	5.04 [.198]	+ REF.	-
C	53.39 [2.102]	+ REF.	-
D	18.75 [.738]	+ REF.	-
E	1.95 [.077]	+ REF.	-

**IMPEDANCE (Z)**

Frequency	25 MHz	100 MHz	300 MHz
Nominal (REF)	232 Ω	511 Ω	627 Ω
Minimum	- Ω	409 Ω	- Ω

Z vs. FREQUENCY  
(REF. ONLY)



AGILENT E4991A Impedance/Material Analyzer  
HP 16992A-Test Fixture. TEST REF. 3839

**UNCONTROLLED DOCUMENT**

NOTES:

1. ASSEMBLED PART #: 28A0592-0A2
2. CASE COLOR: BLACK-0A2.
3. CASE FLAMMABILITY RATING: UL94 V-2.
4. CASE MATERIAL: Halogen Free Nylon

DIMENSIONS ARE IN mm [INCHES].				This print is the property of Laird Tech. and is loaned in confidence subject to return upon request and with the understanding that no copies shall be made without the written consent of Laird Tech. All rights to design or invention are reserved.		
G	UPDATED Z SPEC	09/03/12	Jcai	PROJECT/PART NUMBER: <b>28A0592-0A2</b>	REV <b>G</b>	PART TYPE: FERRITE SNAP-ON
F	UPDATED NOTE 3	09/15/10	JUN			
E	UPDATE COMPANY LOGO ADD NOTES 3&4	01/27/09	JRK			
D	UPDATE 100MHz MINIMUM VALUE	06/26/07	TMB			
C	UPDATE COMPANY LOGO	04/17/07	TMB			
B	CHANGE CASE B DIM TO 5.04 [.198] ADD CASE DIMENSIONS "D" & "E" UPDATE NOTES AND TOLERANCES	03/28/07	TMB	DATE: 03/23/04	SCALE: N.T.S.	MATERIAL: Ferrite
A	ORIGINAL DRAFT	03/23/04	TMB	CAD # 28A0592-0A2-G	TOOL # -	
REV	DESCRIPTION	DATE	INT			

