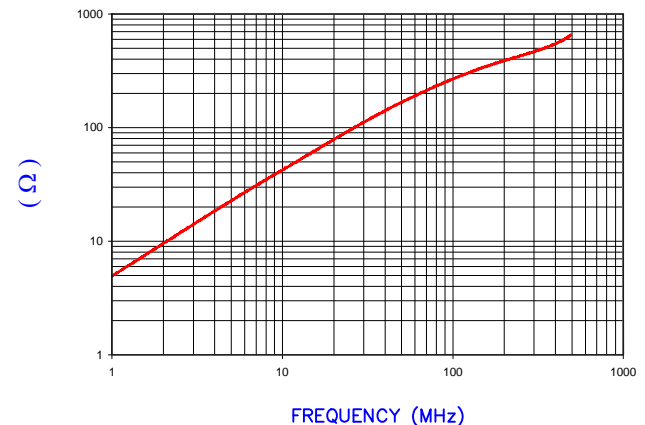


IMPEDANCE (Z)			
Frequency	25 MHz	100 MHz	300 MHz
Nominal (REF)	95 Ω	270 Ω	460 Ω
Minimum	- Ω	216 Ω	- Ω

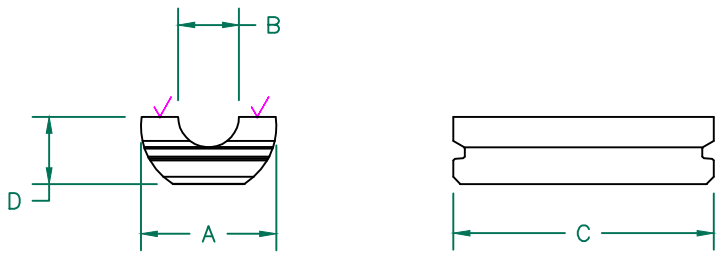
Z vs. FREQUENCY
(REF. ONLY)



AGILENT E4991A Impedance/Material Analyzer
HP 16092A-Test Fixture

NOTES:

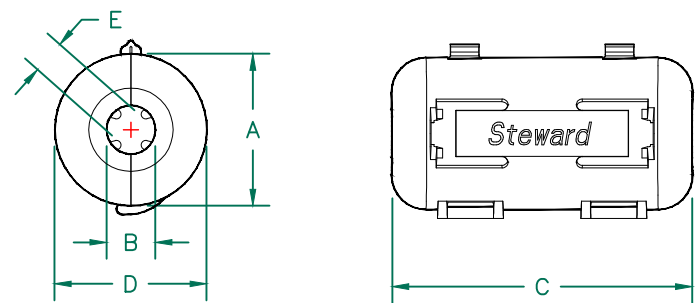
1. ASSEMBLED PART #: 28A2026-0A2
2. CASE COLOR: BLACK - "0A2"
3. CASE FLAMMABILITY RATING: UL94 V-2.
4. CASE MATERIAL: Halogen Free Nylon
5. COSMETIC SPECIFICATION REFER TO WI-QA-038.



CORE DIMENSIONS:

A	14.99 [.590]	+	0.50 [.020]
B	6.76 [.266]	+	0.30 [.012]
C	28.83 [1.135]	+	0.60 [.024]
D	7.49 [.295]	+	0.35 [.014]

UNCONTROLLED DOCUMENT



CASE DIMENSIONS:

A	21.00 [.827]	+	Ref.
B	6.80 [.268]	+	Ref.
C	41.70 [1.642]	+	Ref.
D	21.00 [.827]	+	Ref.
E	4.85 [.191]	+	Ref.



DIMENSIONS ARE IN mm [INCHES].				This print is the property of Laird Tech. and is loaned in confidence subject to return upon request and with the understanding that no copies shall be made without the written consent of Laird Tech. All rights to design or invention are reserved.			Laird		
J	UPDATE CORE TOL	12/23/15	Jcai	PROJECT/PART NUMBER: 28A2026-0A2			REV	PART TYPE: CASE ASSEMBLY	DRAWN BY: JRK
H	UPDATE COMPANY LOGO ,ADD NOTE 5	08/23/14	QIU				J		
G	UPDATED NOTE 3	09/15/10	JUN						
F	UPDATE COMPANY LOGO ADD NOTE 3&4	01/27/09	JRK						
E	UPDATE 100MHz MINIMUM VALUE	11/01/07	TMB						
D	UPDATE COMPANY LOGO	04/18/07	TMB	DATE:	06/29/04	SCALE:	NTS	MATERIAL:	FERRITE
C	CHANGE CASE DIMENSION TOLERANCES REVERSE NOTE 1	03/05/07	TMB	CAD #	28A2026-0A2-J	TOOL #	-		
REV	DESCRIPTION	DATE	INT						