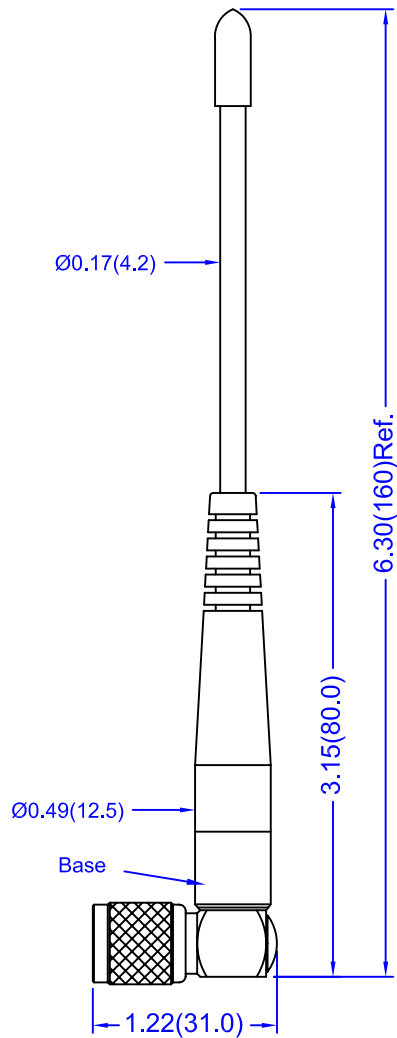
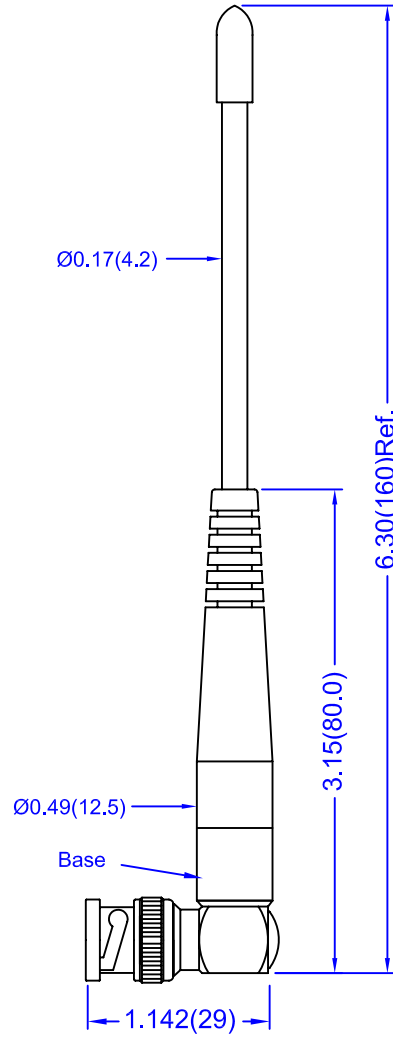


Right Angle
SMA Connector



Right Angle
TNC Connector



Right Angle
BNC Connector

Electrical Properties:

Frequency Range: 902~928MHz
 Impedance: 50Ω nominal
 VSWR: <2.0:1
 Gain: 2.5 dBi
 Radiation: Omni
 Polarization: Vertical
 Wave: ½wave loaded

Mechanical Properties:

Material:
 Whip: Wire (Black)
 Base: Polyacetal(Black)
 Connector: Brass with nickel plating(Black)
 Operation Temp.: -20°C to +65°C
 Storage Temp.: -30°C to +75°C

* Specific part number , please review next page.

TITLE	900MHz ISM Band Antenna -161 Model Right Angle Series		DATE	SHEET
			021505	1 OF 2
UNIT	DWG. NO.	S161XX-915R		
in.(mm)				
SCALE	NEARSON			
0.8:1				