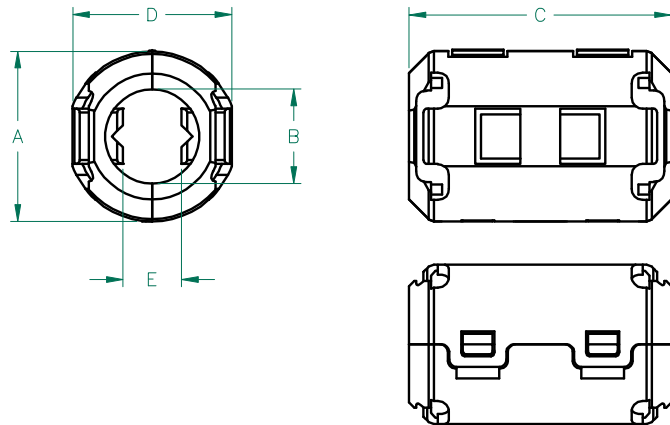


CORE DIMENSIONS:

| | | | |
|---|---------------|---|-------------|
| A | 20.00 [.787] | + | 0.30 [.012] |
| B | 13.00 [.512] | + | 0.30 [.012] |
| C | 29.00 [1.142] | + | 0.50 [.020] |
| D | 9.50 [.374] | + | 0.20 [.008] |
| E | 6.240 [.246] | + | 0.30 [.012] |

Weight/1000 24.89 kgs 54.88 lbs.
(Per Pair)

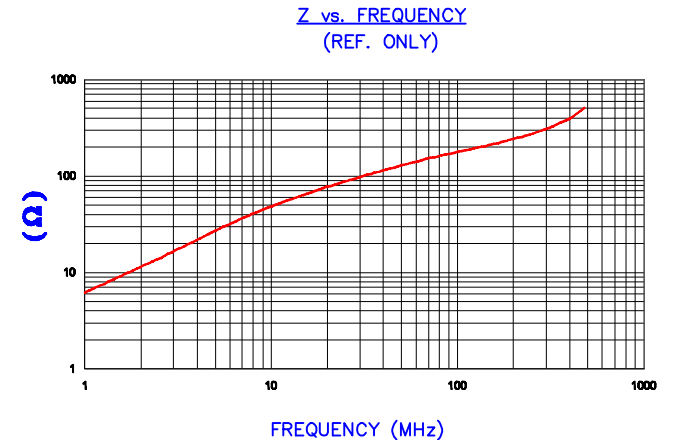


CASE DIMENSIONS:

| | | | |
|---|---------------|---|-------------|
| A | 23.50 [.925] | + | 0.40 [.016] |
| B | 13.06 [.514] | + | 0.30 [.012] |
| C | 36.25 [1.427] | + | 0.50 [.020] |
| D | 22.00 [.866] | + | 0.30 [.012] |
| E | 8.13 [.320] | + | REF. |

UNCONTROLLED DOCUMENT

| IMPEDANCE (Z) | | | |
|---------------|--------|---------|---------|
| Frequency | 25 MHz | 100 MHz | 300 MHz |
| Nominal (REF) | 86 Ω | 177 Ω | 305 Ω |
| Minimum | - Ω | 142 Ω | - Ω |



AGILENT E4991A Impedance/Material Analyzer
HP 16092A-Test Fixture

NOTES:

1. CASE FLAMMABILITY RATING: UL94 V-0
2. CASE MATERIAL: HALOGEN FREE NYLON
3. ASSEMBLED PART #: 28A2913-0A2
4. CORE PART #: 28A2913-000
5. CASE COLOR: BLACK -"0A2"

| DIMENSIONS ARE IN mm [INCHES]. | | | | This print is the property of Laird Tech. and is loaned in confidence subject to return upon request and with the understanding that no copies shall be made without the written consent of Laird Tech. All rights to design or invention are reserved. | | | | | |
|--------------------------------|-------------|-------------|----------------|---|----------|------------|-----------------|-----------|---------------|
| PROJECT/PART NUMBER: | 28A2913-0A2 | | | REV | A | PART TYPE: | FERRITE SNAP-ON | DRAWN BY: | TMB |
| DATE: | 11/24/08 | | | SCALE: | NTS | MATERIAL: | NiZn Ferrite | | |
| REV | A | DESCRIPTION | ORIGINAL DRAFT | DATE | 11/24/08 | INT | TMB | CAD # | 28A2913-0A2-A |