

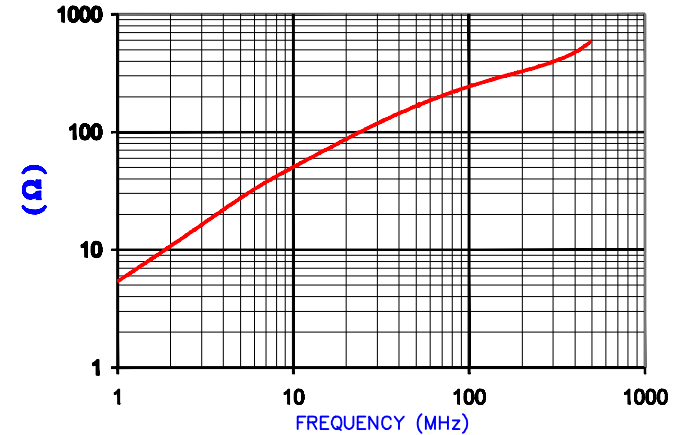
CORE DIMENSIONS:

A	16.25 [.640]	+	0.25 [.010]
B	9.02 [.355]	+	0.20 [.008]
		-	0.13 [.005]
C	27.94 [1.100]	+	0.38 [.015]
D	8.12 [.320]	+	0.13 [.005]

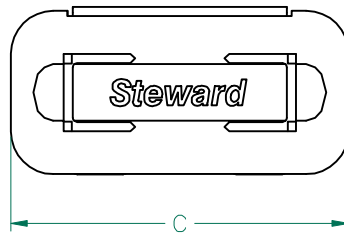
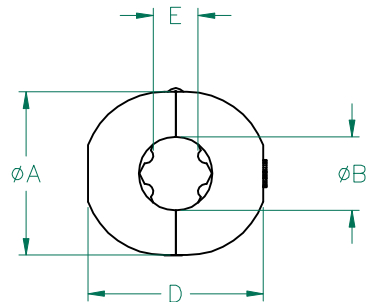
UNCONTROLLED DOCUMENT

IMPEDANCE (Z)			
Frequency	25 MHz	100 MHz	300 MHz
Nominal (REF)	105 Ω	240 Ω	390 Ω
Minimum	- Ω	192 Ω	- Ω

Z vs. FREQUENCY
(REF. ONLY)



AGILENT E4991A Impedance/Material Analyzer
HP 16092A-Test Fixture REF 3158



CASE DIMENSIONS:

A	20.07 [.790]	+	REF.
B	9.07 [.357]	+	REF.
C	41.55 [1.636]	+	REF.
D	21.57 [.849]	+	REF.
E	5.74 [.226]	+	REF.

NOTES:

1. ASSEMBLED PART #: 28A0640-0A0
2. CASE COLOR: WHITE-0A0.

DIMENSIONS ARE IN mm [INCHES].				This print is the property of Laird Tech. and is loaned in confidence subject to return upon request and with the understanding that no copies shall be made without the written consent of Laird Tech. All rights to design or invention are reserved.		Laird		
Ø	UPDATED LOGO	03/13/13	QIU	PROJECT/PART NUMBER: 28A0640-0A0		REV	PART TYPE:	DRAWN BY:
N	UPDATE COMPANY LOGO	12/28/12	QIU			0	FERRITE SNAP-ON	BAC
M	UPDATE CASE DIMENSIONS TO MATCH CASE PRINT	08/23/07	TMB	DATE:	07/12/96	SCALE:	NTS	MATERIAL:
L	UPDATE 100 MHz MINIMUM VALUE	06/11/07	TMB	CAD #	28A0640-0A0-0	TOOL #	-	NiZn Ferrite
K	UPDATE COMPANY LOGO	04/17/07	TMB					
J	UPDATE Z SPEC 100MHz MIN VALUE	12/11/06	TMB					
REV	DESCRIPTION	DATE	INT					