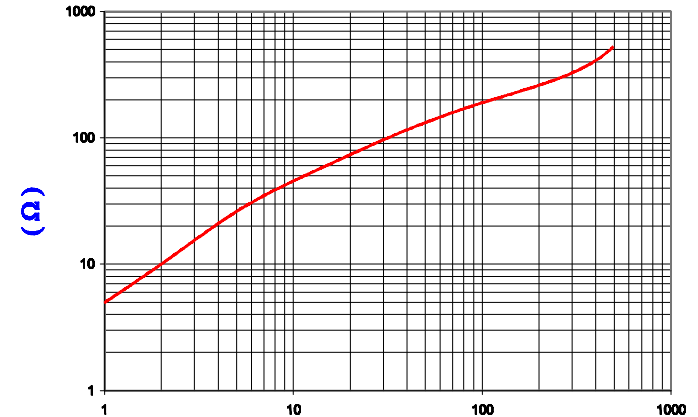


IMPEDANCE (Z)			
Frequency	25 MHz	100 MHz	300 MHz
Nominal (REF)	75 Ω	170 Ω	320 Ω
Minimum	- Ω	136 Ω	- Ω

Z vs. FREQUENCY
(REF. ONLY)

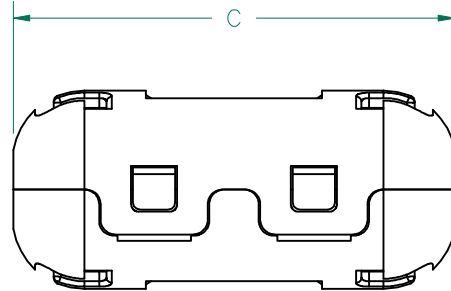
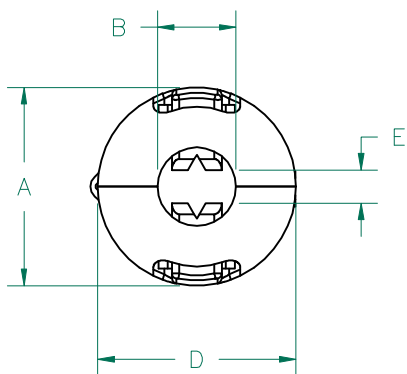


FREQUENCY (MHz)
AGILENT E4991A Impedance/Material Analyzer
HP 16092A-Test Fixture REF 3219

FERRITE CORE DIMENSIONS:

A	9.96 [.392]	\pm	0.15 [.006]
B	4.88 [.192]	\pm	0.13 [.005]
C	20.50 [.807]	\pm	0.25 [.010]
D	4.14 [.163]	\pm	0.13 [.005]

UNCONTROLLED DOCUMENT



CASE DIMENSIONS:

A	13.72 [.540]	\pm	REF.
B	5.44 [.214]	\pm	REF.
C	30.56 [1.203]	\pm	REF.
D	13.72 [.540]	\pm	REF.
E	2.29 [.090]	\pm	REF.

NOTES:

- ASSEMBLED PART #: 28A0392-0A0
- CASE COLOR: WHITE
- CASE MATERIAL: HALOGEN FREE POLYPROPYLENE OR NYLON, UL94 V=2 OR BETTER FOR FLAMMABILITY

DIMENSIONS ARE IN mm [INCHES].				This print is the property of Laird Tech. and is loaned in confidence subject to return upon request and with the understanding that no copies shall be made without the written consent of Laird Tech. All rights to design or invention are reserved.		Laird TECHNOLOGIES	
Y	ADD NOTES 3	10/29/10	Jcai	PROJECT/PART NUMBER: 28A0392-0A0	REV Y	PART TYPE: FERRITE SNAP ON	DRAWN BY: DTR
X	UPDATE COMPANY LOGO	08/11/09	JRK				
W	UPDATE 100MHz MINIMUM VALUE	06/26/07	TMB	DATE: 09/02/94	SCALE: NTS	MATERIAL: NiZn Ferrite	
V	UPDATE COMPANY LOGO	04/17/07	TMB				
U	CHANGE CASE TOLERANCES TO REF ADD DIMENSION E TO CASE CALLOUT RE-MOVE CORE & CASE REF REVISE NOTES	02/05/07	TMB	CAD # 28A0392-0A0-Y	TOOL # -		
T	UPDATE CORE AND CASE DESIGN REVISE NOTES	09/22/05	TMB				
S	CHANGE TOLS ON B & D DIMENSIONS	01/07/05	JRK				
REV	DESCRIPTION	DATE	INT				