

D

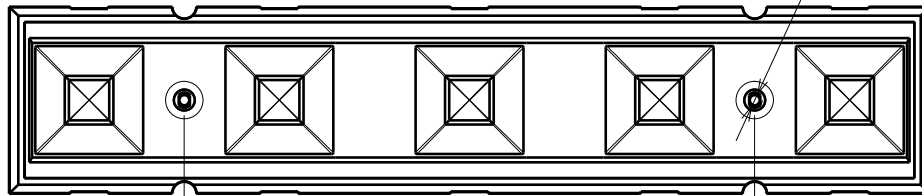
C

B

A

4

4



76.2

Position pins
Bottom view

Height 8,5mm from PCB top

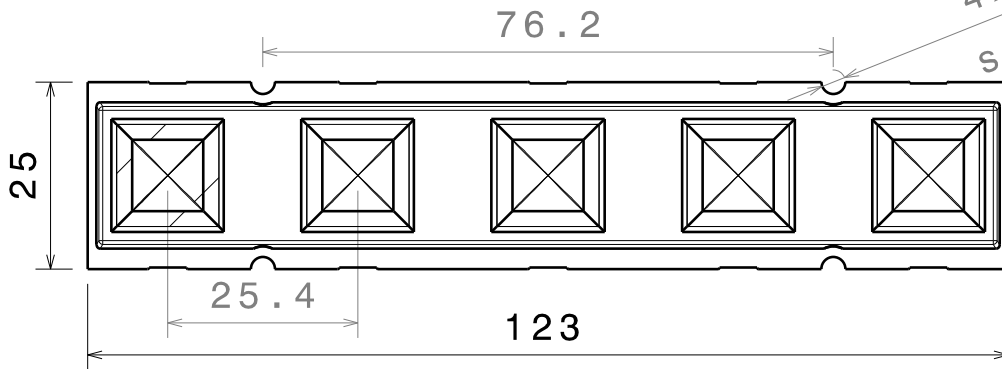


Front view

4x ϕ 3.2
screw holes

3

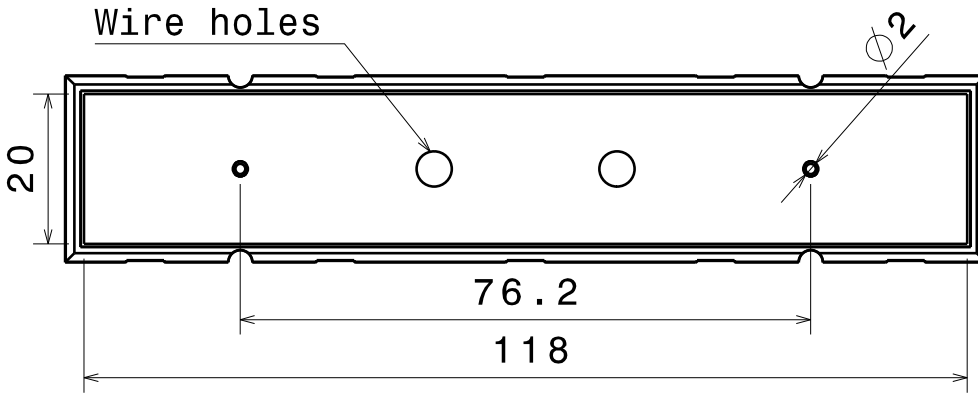
3



Top view

2

2



PCB-suggestion

Sealing: PCB goes
inside lens module.



Cross section

This drawing is our property.
It can't be reproduced
or communicated without
our written agreement.



Ledil Oy
Salorankatu 10
FIN 24240 SALO
Finland

DRAWING TITLE

Datasheet HB-5x1 Lens

DRAWN BY

mav

DATE

14.03.2012

CHECKED BY

DATE

SIZE

A4

DRAWING NUMBER

C12345

REV

2

DESIGNED BY

mav

DATE

22.09.2011

SCALE

1:1

WEIGHT (g)

SHEET

1/1

D

A

1

1