

D

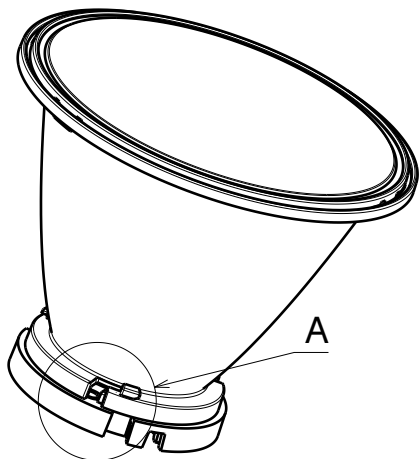
C

B

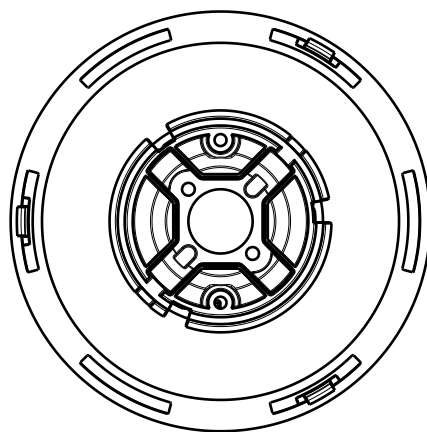
A

4

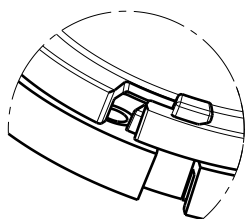
4



Isometric view



Bottom view

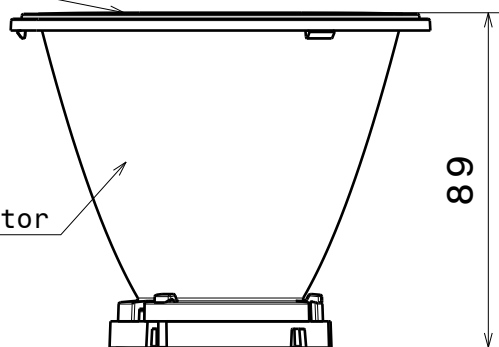


Detail A  
Scale: 1:1

Lena lens

Lena reflector

Lena base MEZ



Front view

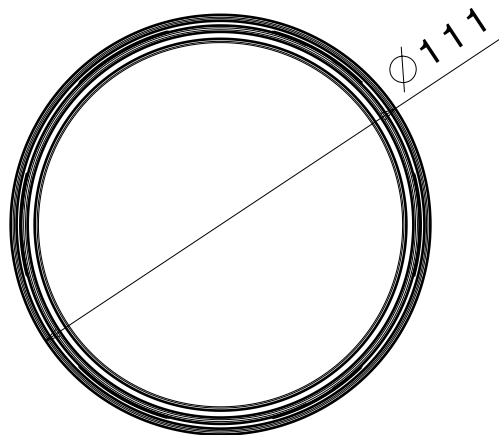
69

3

3

2

2



Top view

Ø111

This drawing is our property.  
It can't be reproduced  
or communicated without  
our written agreement.



Ledil Oy  
Salorankatu 10  
FIN-24100 SALO  
Finland

DRAWING TITLE

Datasheet Lena-DL-MEZ

DRAWN BY  
ah

DATE  
18.4.2012

CHECKED BY  
pl

DATE  
18.4.2012

SIZE  
A4

DRAWING NUMBER

-

REV  
1

DESIGNED BY  
pl

DATE  
11.06.2011

SCALE 1:2 WEIGHT (g)

SHEET 1/1

D

A

1

1