

D

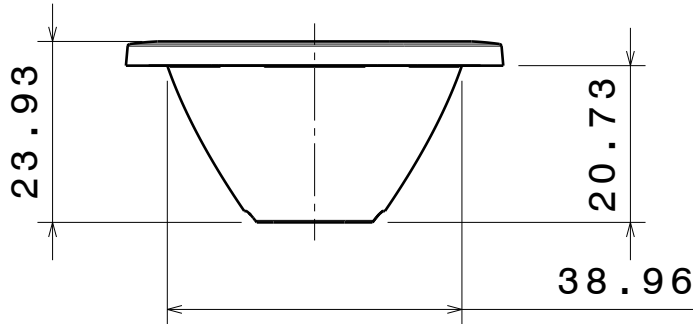
C

B

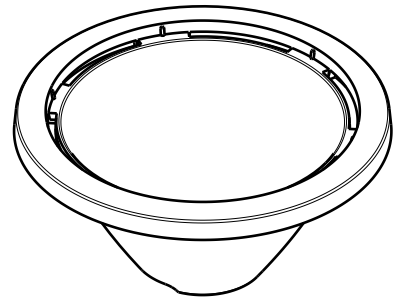
A

4

4



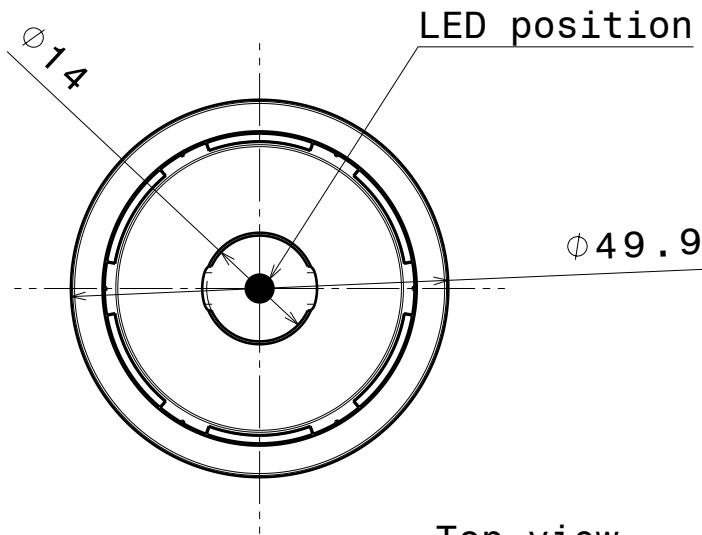
Front view



Isometric view

3

3



Top view

2

2

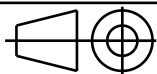
INDEX	PART NO	DESCRIPTION	MATERIAL	COLOUR
1	C12478	MIRELLA-50-W	PC	metal

Tolerances if not otherwise shown  
 According to DIN ISO 2768-1  
 Linear measures: class C  
 According to DIN ISO 2768-2  
 Form and position: class L



Ledil Oy  
 Salorankatu 10  
 FIN 24240 SALO  
 Finland

THIRD ANGLE PROJECTION:



DRAWING TITLE

C12478\_MIRELLA-50-W

This drawing is the property  
 of LEDiL Oy. It may not be  
 reproduced, copied or  
 communicated without a written  
 agreement with LEDiL Oy.

SIZE PART NUMBER

A4

C12478

SCALE 1:1 WEIGHT 3,93 g SHEET 1/1

1

1

D

A