

D

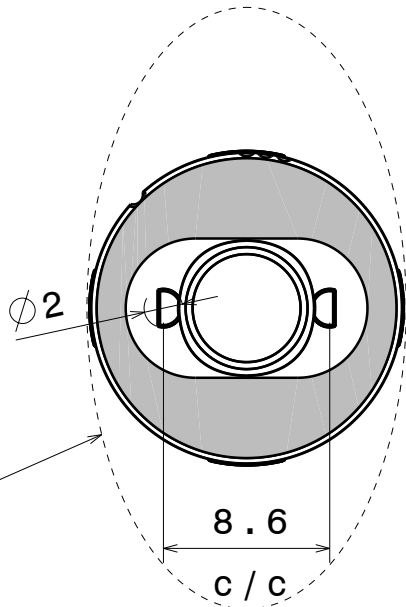
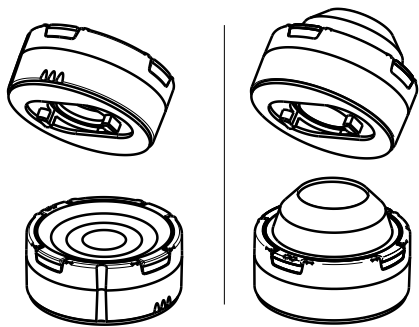
C

B

A

4

4



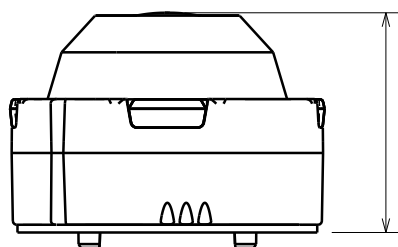
Oval beam direction

8.6

c / c

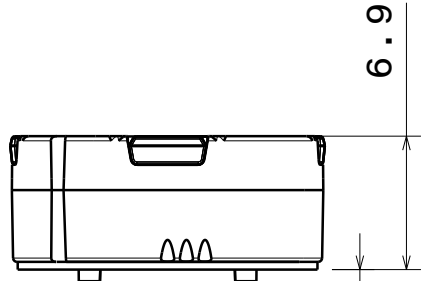
3

3



11.4

Spot version height

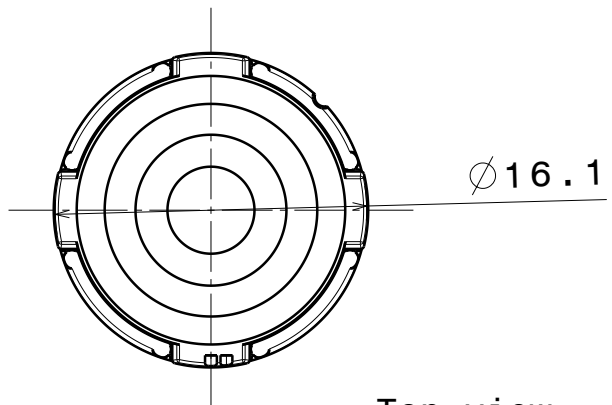


6.9

0.8

2

2



∅16.1

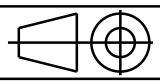
Top view

Tolerances if not otherwise shown
 According to DIN ISO 2768-1
 Linear measures:
 Up to 30mm class M, otherwise class C.
 According to DIN ISO 2768-2
 Form and position: class L



Ledil Oy
 Salorankatu 10
 FIN 24240 SALO
 Finland

THIRD ANGLE PROJECTION:



DRAWING TITLE
TINA3 Datasheet

This drawing is the property of LEDiL Oy. It may not be reproduced, copied or communicated without a written agreement with LEDiL Oy."

SIZE: **A4** PART NUMBER: -

SCALE: **4:3** WEIGHT: - SHEET: **1/1**

D

A