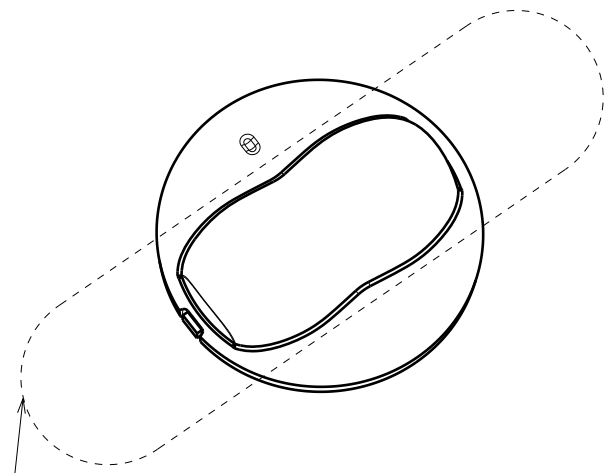


INDEX	PART NO	DESCRIPTION	MATERIAL
1	CA13156	EMERALD-A	PMMA + PU FOAM adhesive tape

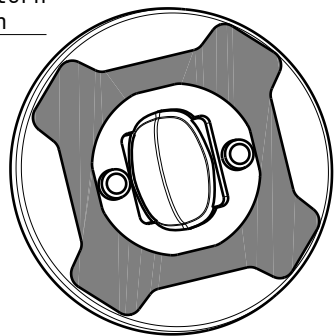
4

Isometric view
Scale: 2:1

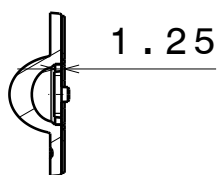


3

Beam pattern direction

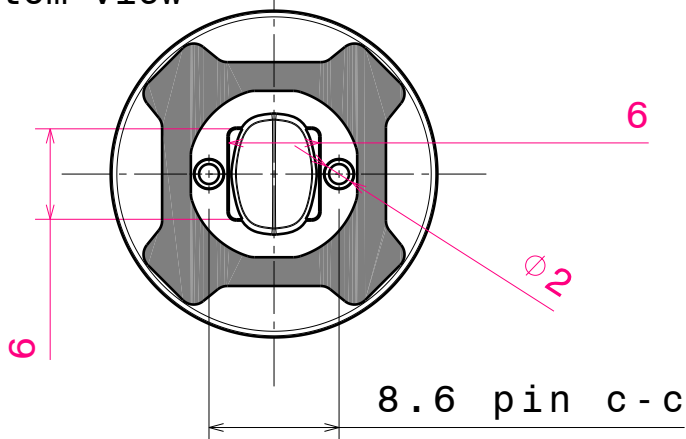


2

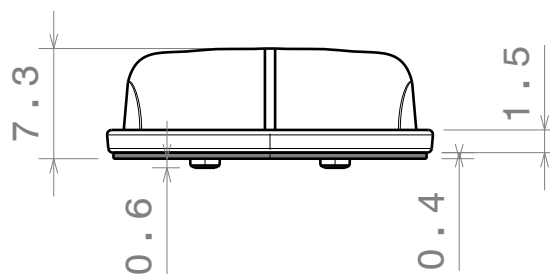


Section view A-A
Scale: 1:1

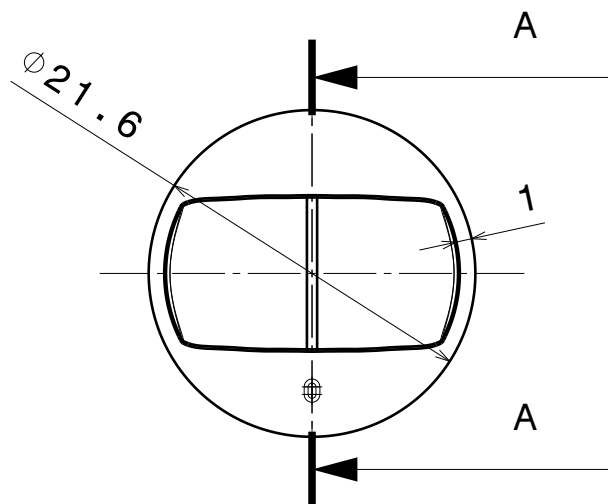
Bottom view



Front view



Top view



This drawing is our property. It can't be reproduced or communicated without our written agreement.



Ledil Oy
Salorankatu 10
FIN 24240 SALO
Finland

DATASHEET TITLE Mechanical Drawing

DRAWN BY
ol
DATE
18.12.2012

CA13156 EMERALD-A

CHECKED BY
as
DATE
18.12.2012

SIZE A4	PART NUMBER CA13156	REV 001
------------	------------------------	------------

DESIGNED BY
ol
DATE
3.10.2012

SCALE 2:1	WEIGHT	SHEET 1/1
--------------	--------	--------------

D

A