

H G F E D C B A

4

3

2

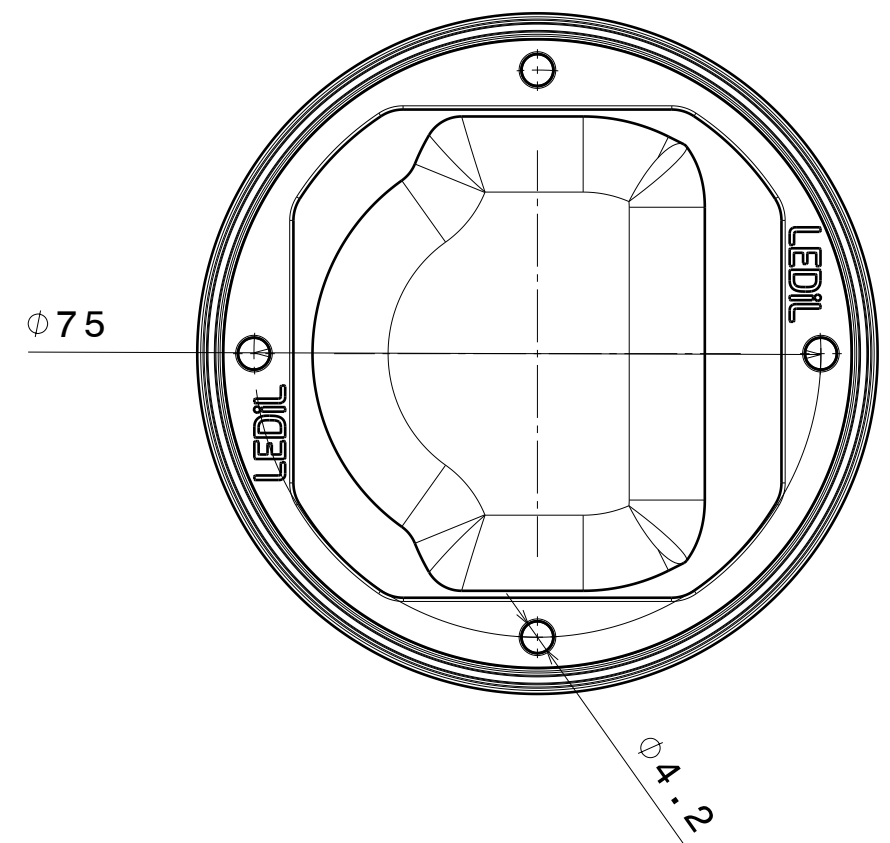
1

4

3

2

1



LED position offset from lens center

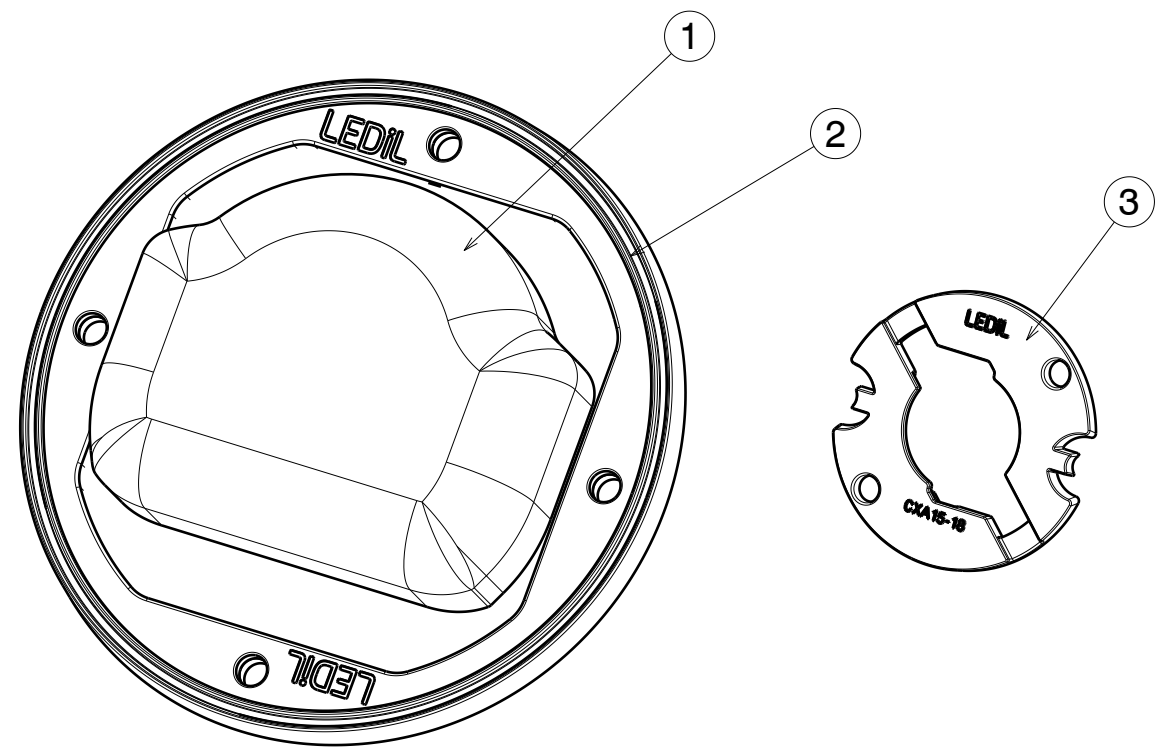
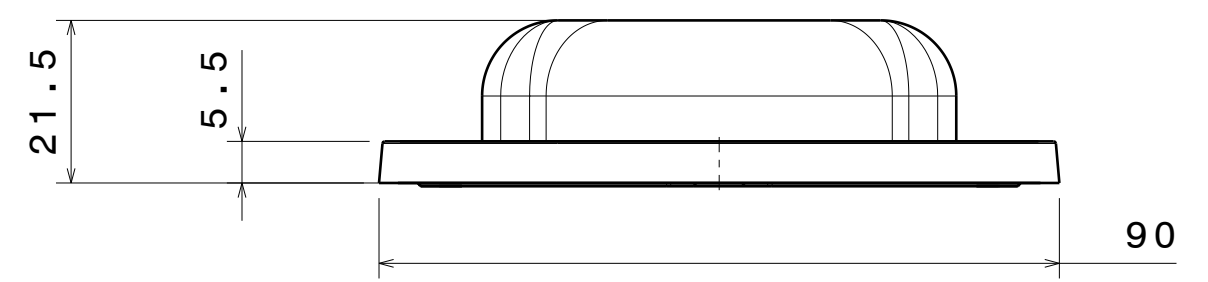
5

LED position

3.51

31.4

37



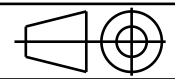
INDEX	PART NO	DESCRIPTION	MATERIAL	COLOUR
1	F13321	STELLA-A	Optical silicone	clear
2	F14252	STELLA-FRAME-WHT	PA66GF30	white
3	C14305	STELLA-CLAMP-CXA15-18	PC	white

Tolerances if not otherwise shown
According to DIN ISO 2768-1
Linear measures: class C
According to DIN ISO 2768-2
Form and position: class L



Ledil Oy
Salorankatu 10
FIN 24240 SALO
Finland

THIRD ANGLE PROJECTION:



DRAWING TITLE
FCN14412_STELLA-A_SOCKET-CXA15-18

This drawing is the property of LEDiL Oy. It may not be reproduced, copied or communicated without a written agreement with LEDiL Oy.

SIZE PART NUMBER
A3 FCN14412

SCALE 1:1 WEIGHT 60,4 g SHEET 1/1

H G B A