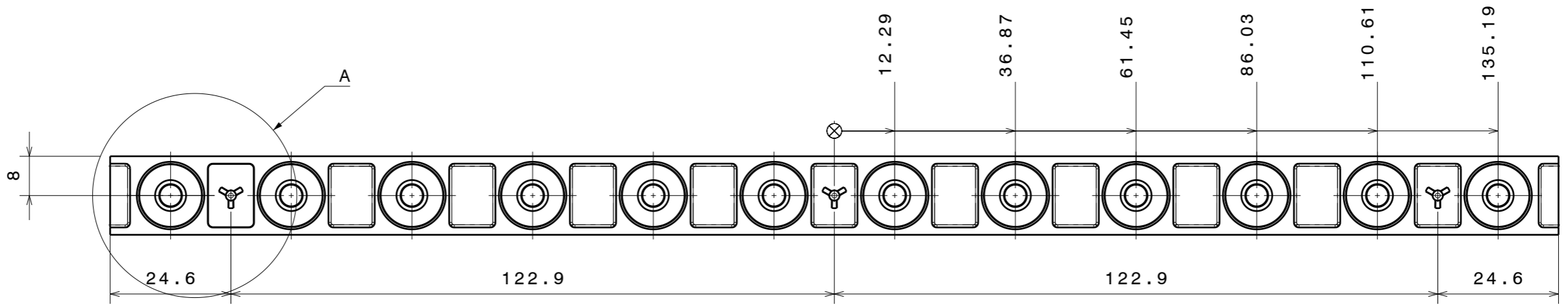
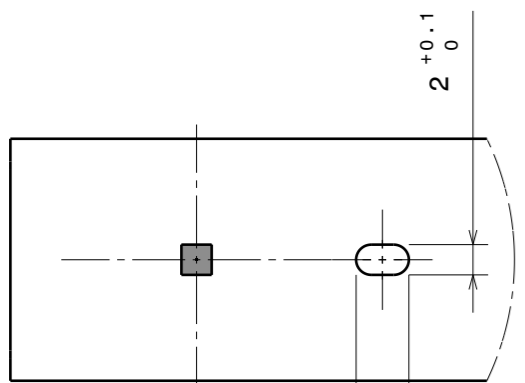
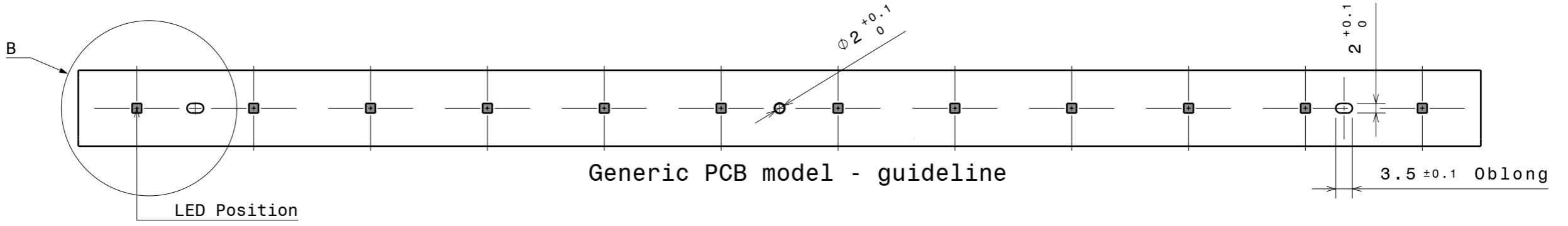
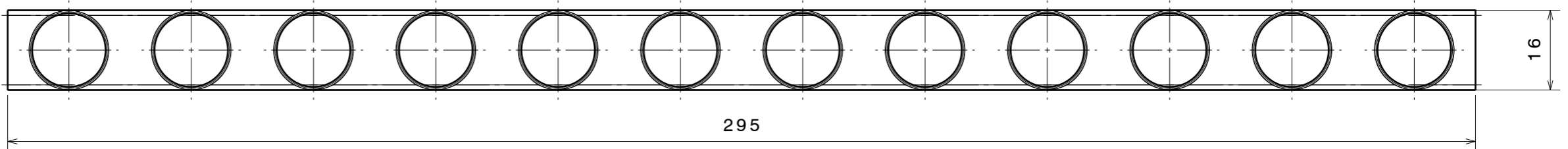
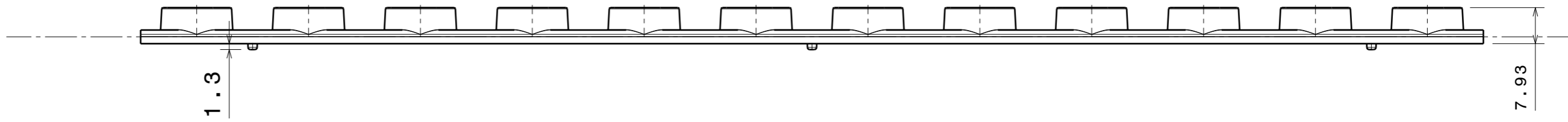
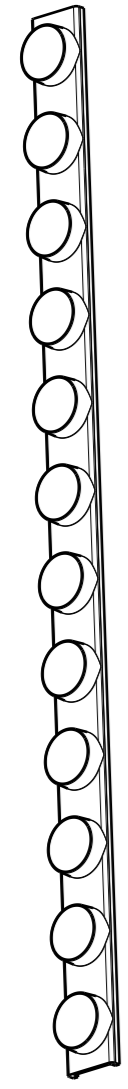


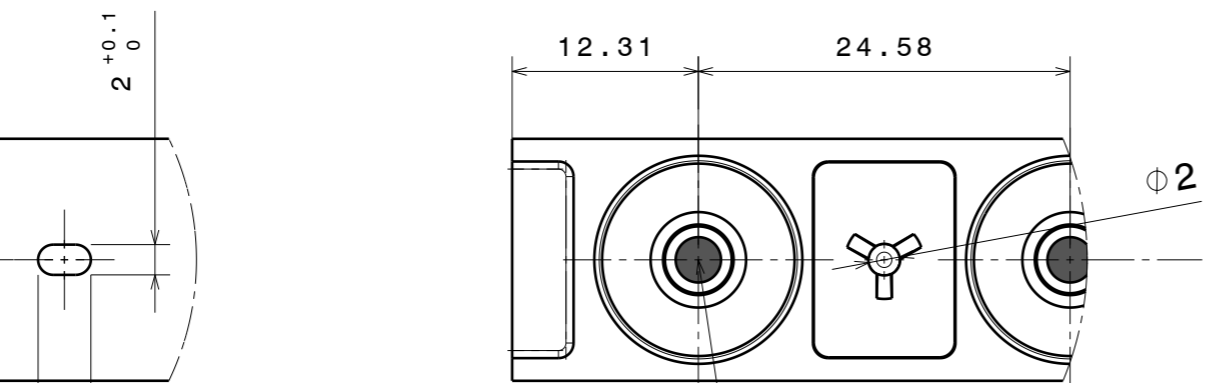
H G F E D C B A



Isometric view  
Scale: 1:2



Detail B  
Scale: 2:1



Detail A  
Scale: 2:1

INDEX	PART NO	DESCRIPTION	MATERIAL	COLOUR
1	Datasheet	VANESSA	PMMA	Clear

**LEDiL** LediL Oy  
Salorankatu 10  
FIN 24240 SALO  
Finland

Tolerances if not otherwise shown  
Linear measures: class C  
according to DIN ISO 2768-1  
Form and position: class L  
according to DIN ISO 2768-2

THIRD ANGLE PROJECTION:

This drawing is the property of LEDiL Oy. It may not be reproduced, copied or communicated without a written agreement with LEDiL Oy."

DRAWING TITLE  
**Datasheet\_VANESSA**

SIZE PART NUMBER  
**A3** -

SCALE WEIGHT SHEET  
1:1 (g) 1/1

H G B A