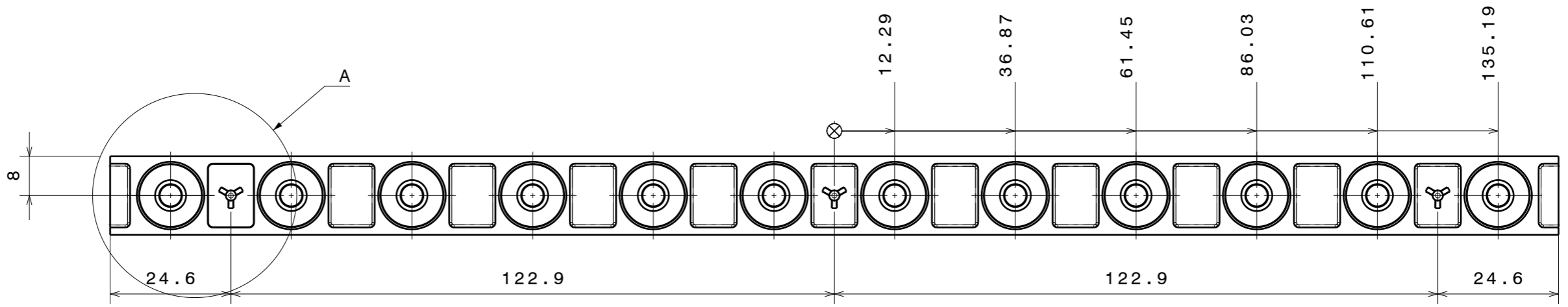


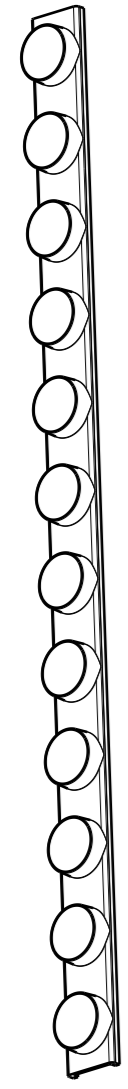
H G F E D C B A

4

4

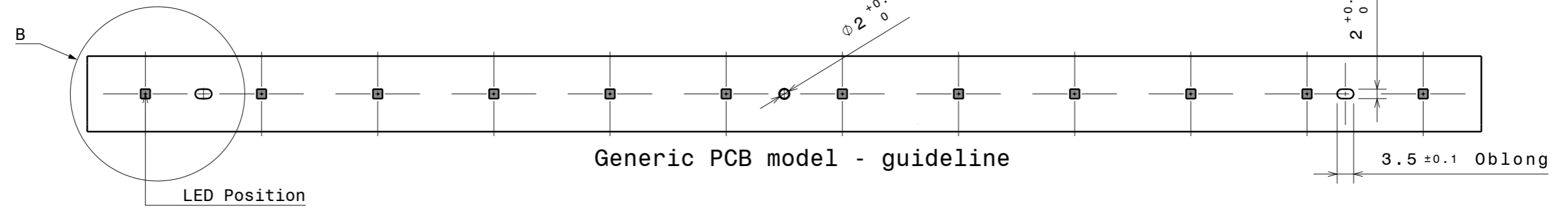
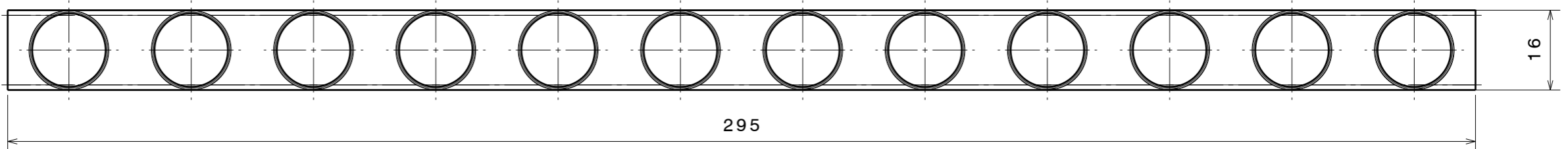
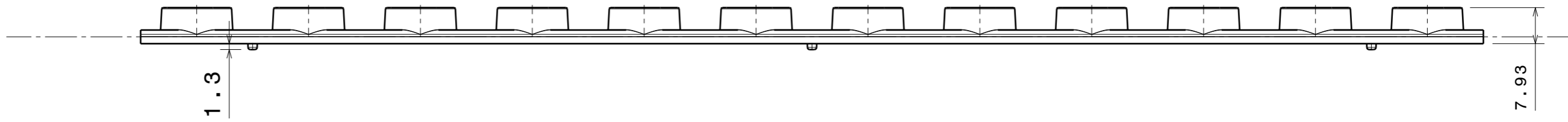


Isometric view
Scale: 1:2



3

3



Generic PCB model - guideline

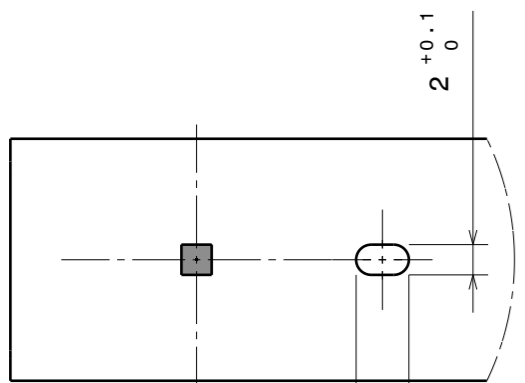
LED Position

2

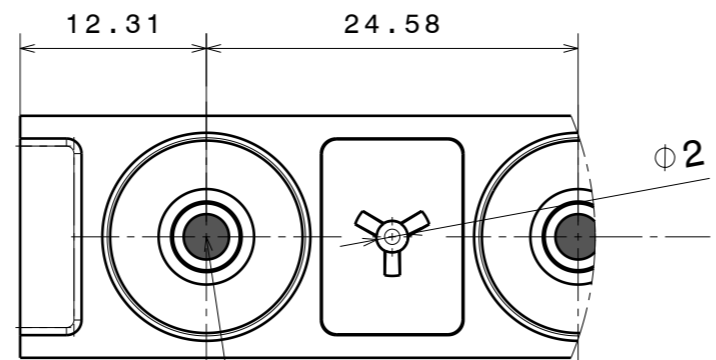
2

1

1



Detail B
Scale: 2:1



Detail A
Scale: 2:1

LED position

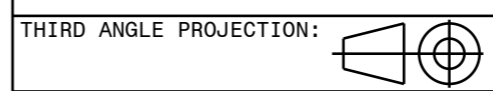
H G B A

INDEX	PART NO	DESCRIPTION	MATERIAL	COLOUR
1	Datasheet	VANESSA	PMMA	Clear



Ledil Oy
Salorankatu 10
FIN 24240 SALO
Finland

Tolerances if not otherwise shown
Linear measures: class C
according to DIN ISO 2768-1
Form and position: class L
according to DIN ISO 2768-2



This drawing is the property of LEDiL Oy. It may not be reproduced, copied or communicated without a written agreement with LEDiL Oy."

DRAWING TITLE	
Datasheet_VANESSA	

SIZE	PART NUMBER
A3	-

SCALE	1:1	WEIGHT	(g)	SHEET	1/1
-------	-----	--------	-----	-------	-----