

## DETAILS

<b>Product Number</b>	C13476_STRADA-FT
<b>Family</b>	Strada
<b>Type</b>	Lens
<b>Color</b>	clear
<b>Diameter</b>	19,6 x 15,5 mm
<b>Height</b>	8,2 mm
<b>Style</b>	rectang
<b>Optic Material</b>	PMMA
<b>Holder Material</b>	
<b>Fastening</b>	pin, screw
<b>Status</b>	production ready
<b>ROHS Compliant</b>	Yes
<b>Date Updated</b>	10/05/2017

## OPTICAL PROPERTIES

LED	Viewing Angle	Light Beam	Efficiency	cd/lm	Connector
XT-E	asymmetric deg	Asymmetric	91 %	0.530	-
XP-G2	asymmetric deg	Asymmetric	90 %	0.540	-
LH351B	Asymmetric deg	Asymmetric	91 %	0.510	-
LH351Z	asymmetric deg	Asymmetric	92 %	0.550	-



D

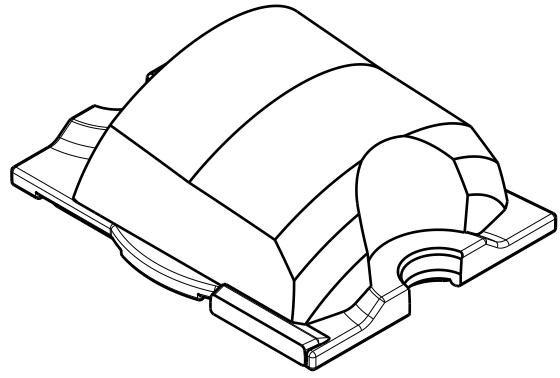
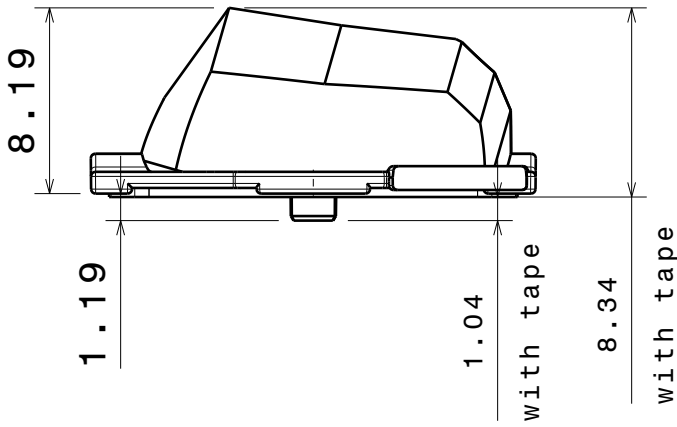
C

B

A

4

4

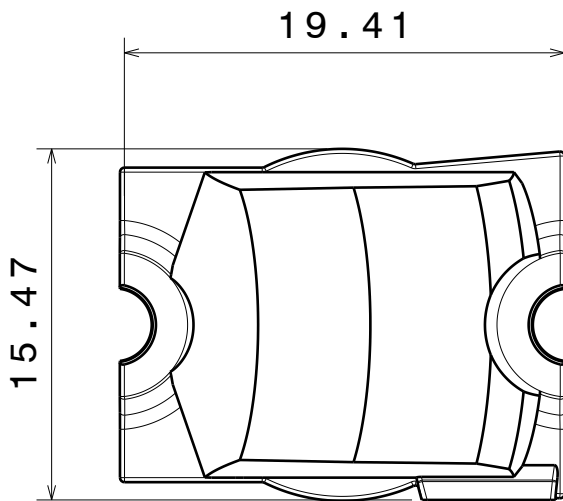


Isometric view

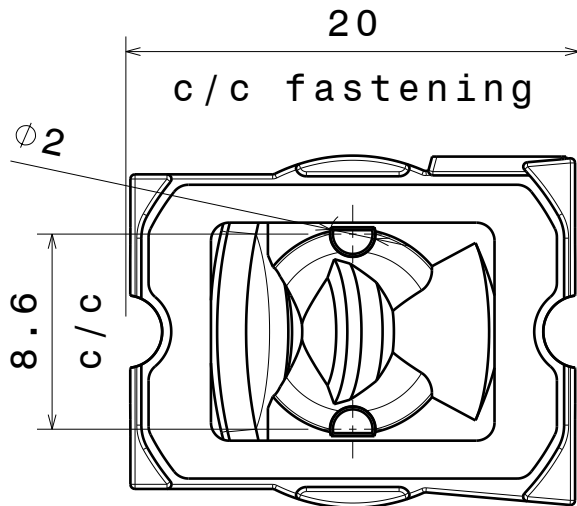
Front view

3

3



Top view



Bottom view

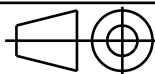
2

2

Tolerances if not otherwise shown  
 According to DIN ISO 2768-1  
 Linear measures:  
 Up to 30mm class M, otherwise class C.  
 According to DIN ISO 2768-2  
 Form and position: class L

**LEDiL** LediL Oy  
 Salorankatu 10  
 FIN 24240 SALO  
 Finland

THIRD ANGLE PROJECTION:



DRAWING TITLE

STRADA-FT

This drawing is the property  
 of LEDiL Oy. It may not be  
 reproduced, copied or  
 communicated without a written  
 agreement with LEDiL Oy."

SIZE PART NUMBER

A4

-

SCALE 3:1 WEIGHT

-

SHEET 1/1

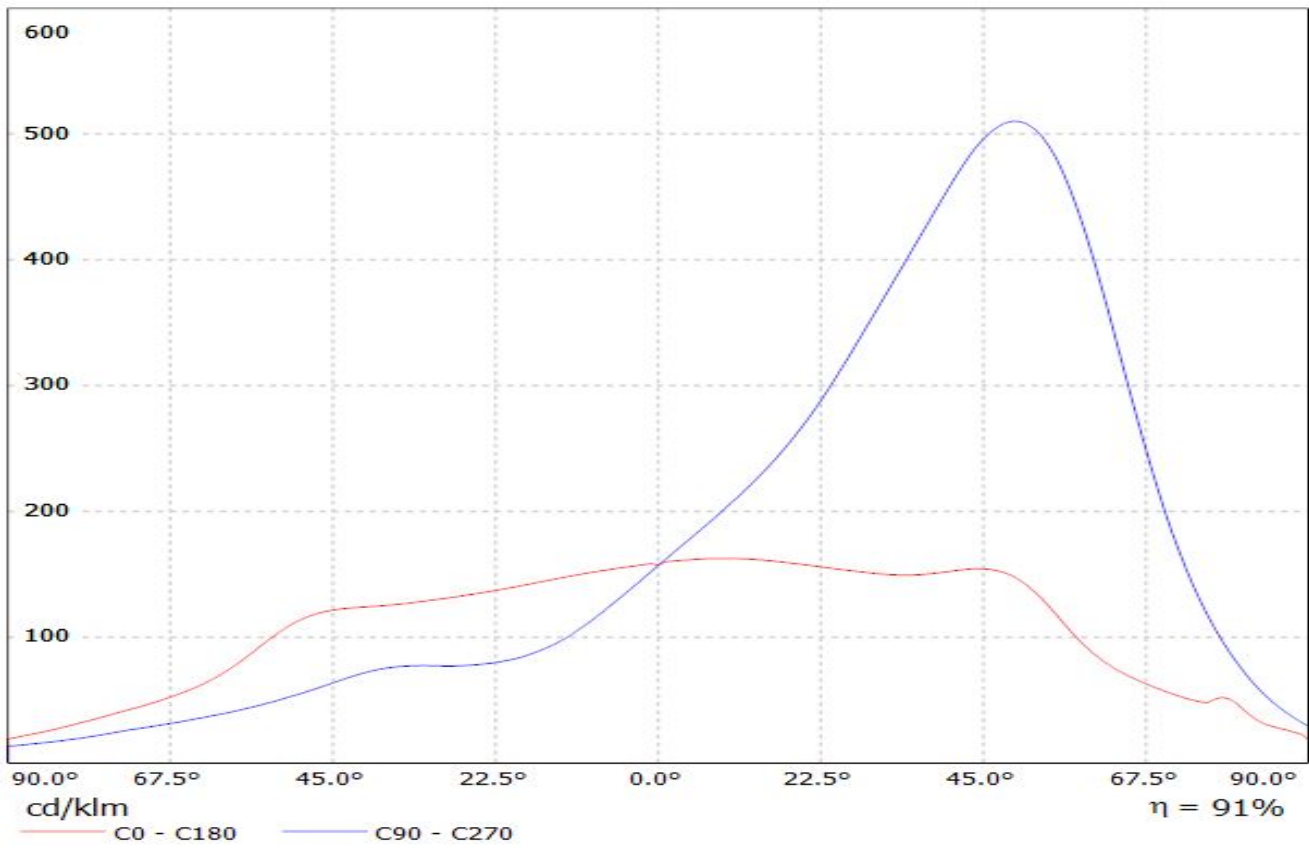
1

1

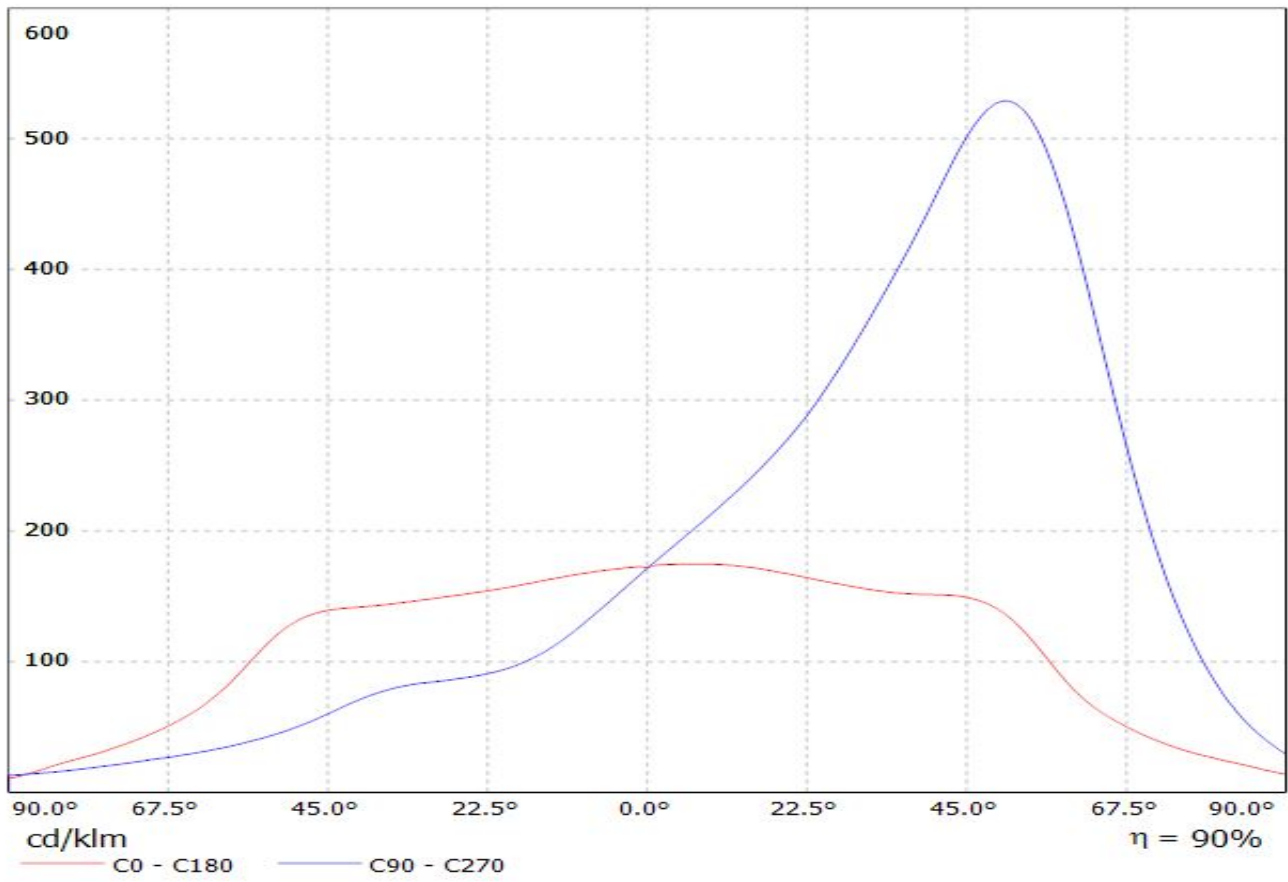
D

A

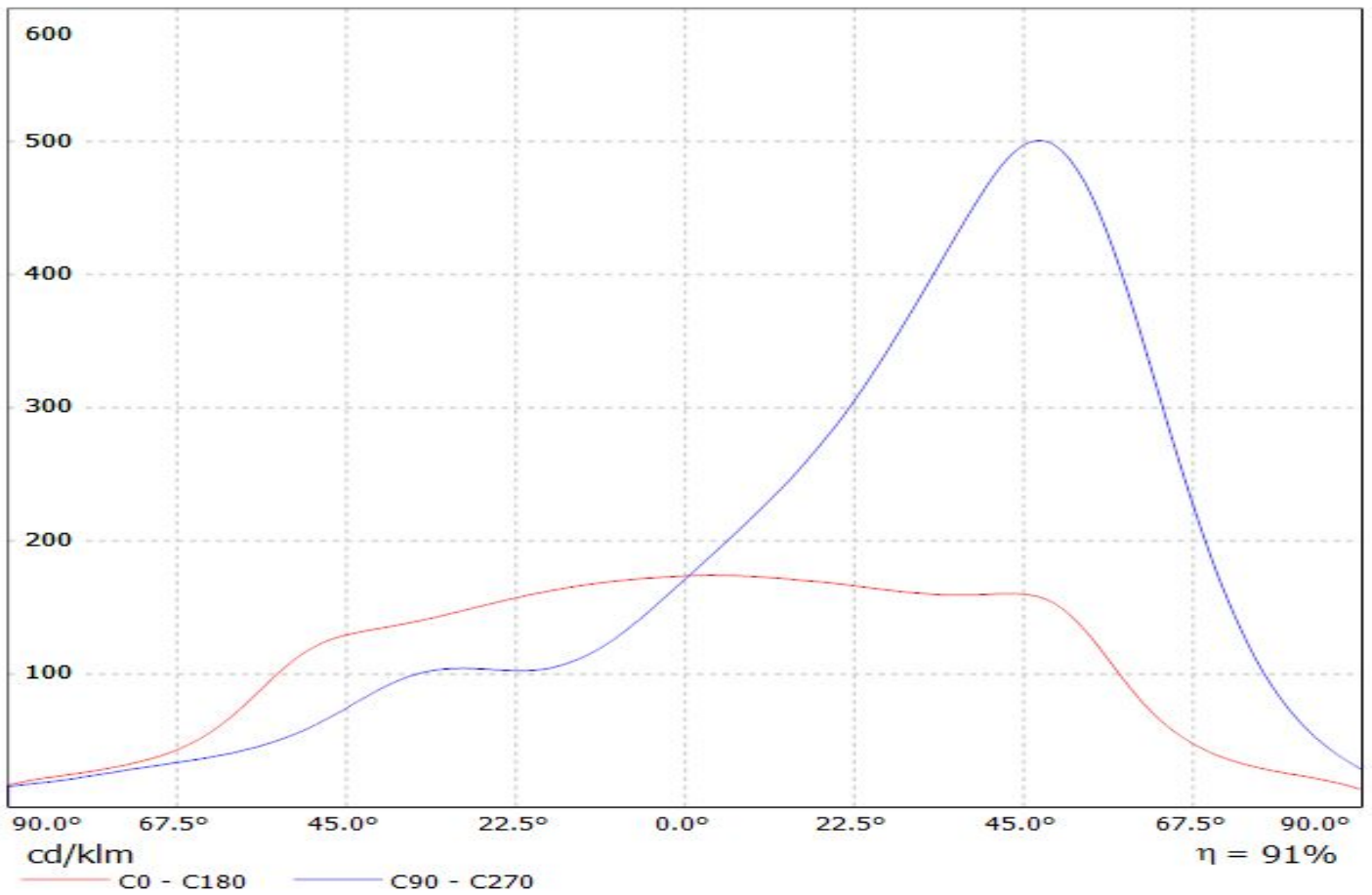
Luminaire: LEDiL Oy C13476\_STRADA-FT\_(XT-E) Eff.91.5%  
Lamps: 1 x XT-E (104.859lm@250mA)



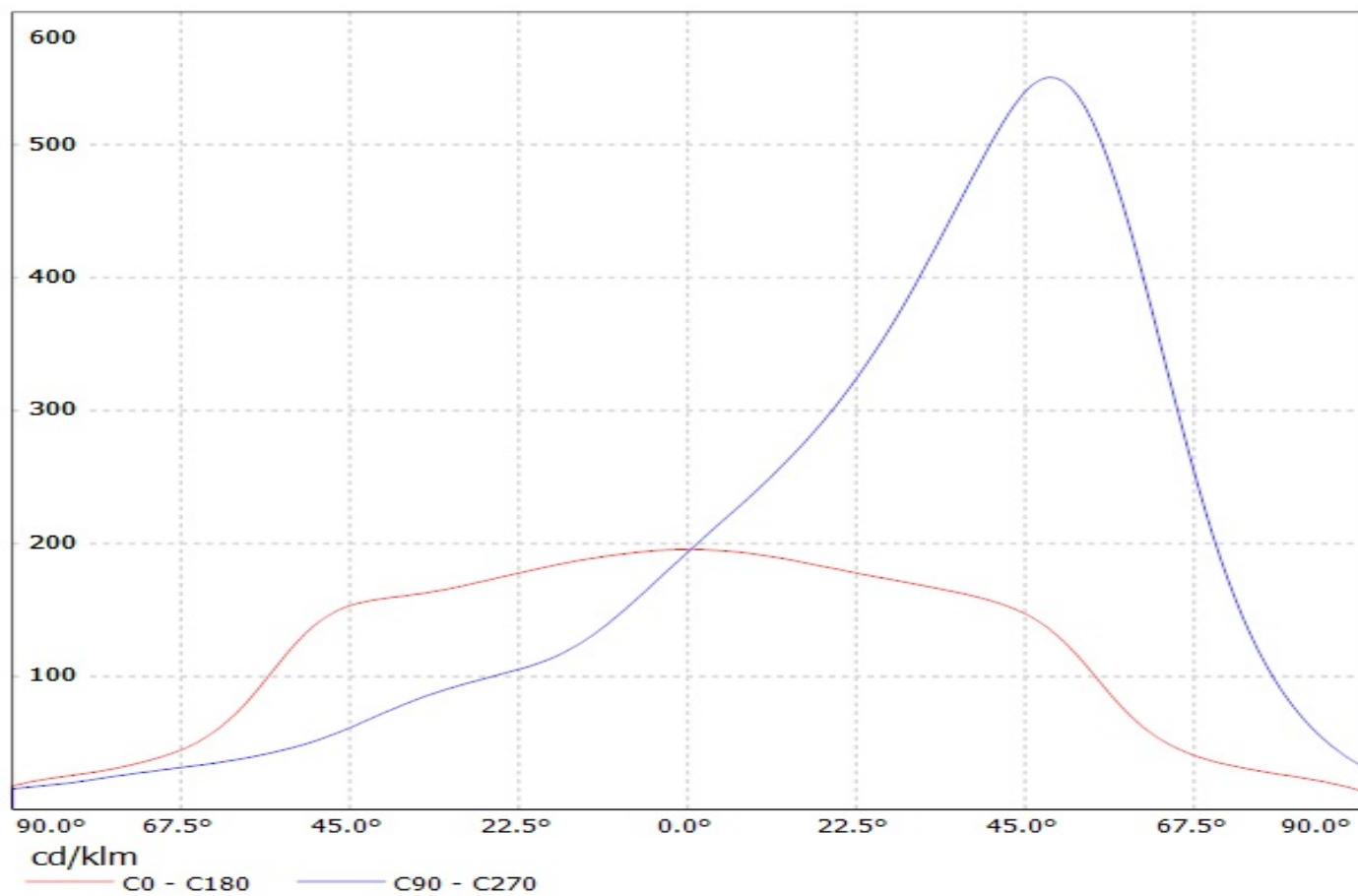
Luminaire: LEDiL Oy C13476\_STRADA-FT\_(XP-G2) Eff.90%  
Lamps: 1 x XP-G2 (103.198lm@250mA)



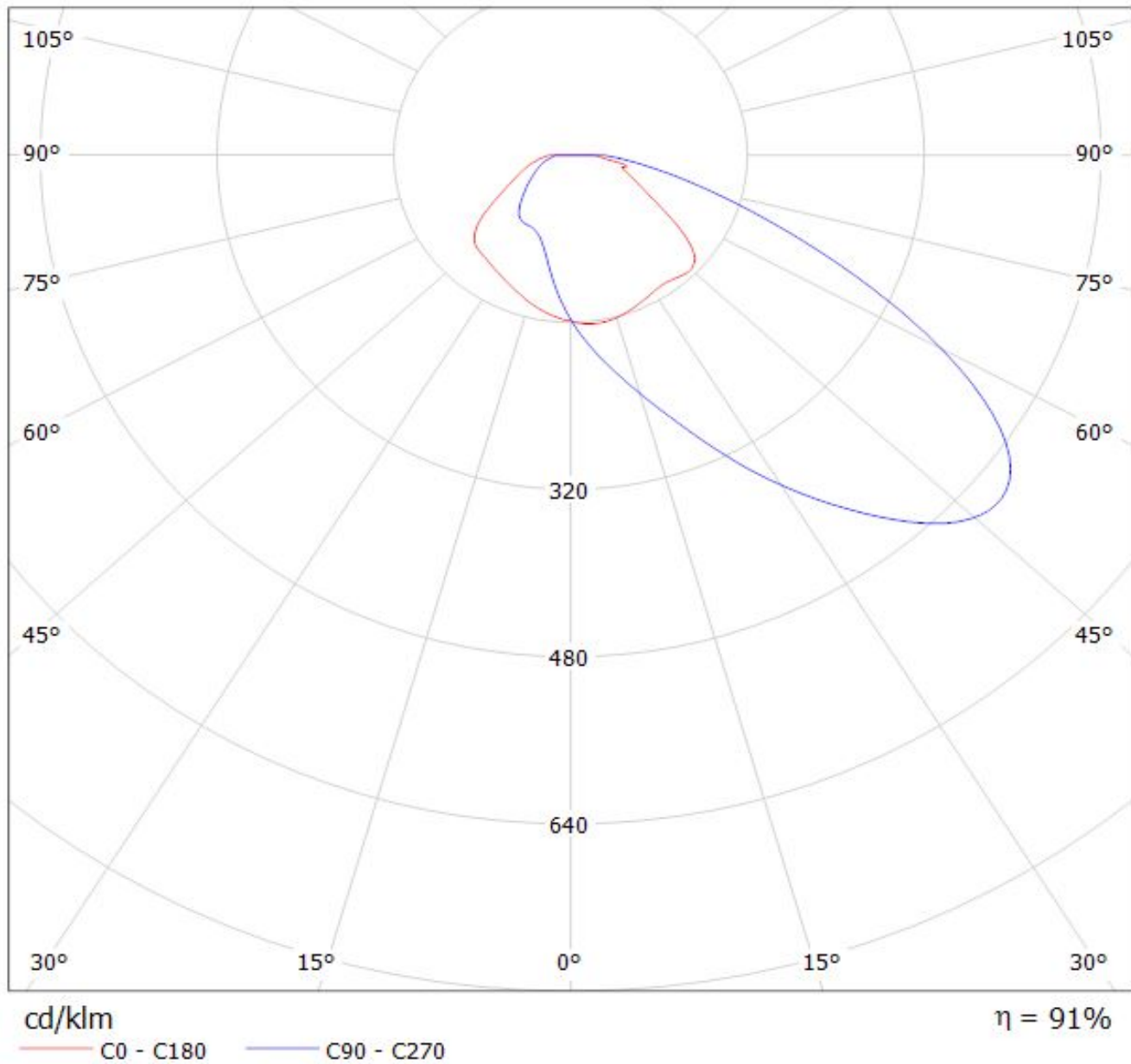
Luminaire: LEDiL Oy C13476\_STRADA-FT\_(LH351B) Eff.91.4%  
Lamps: 1 x SAMSUNG\_LH351B\_107.146lm@250mA\_P=2.9284W\_I=249.8mA



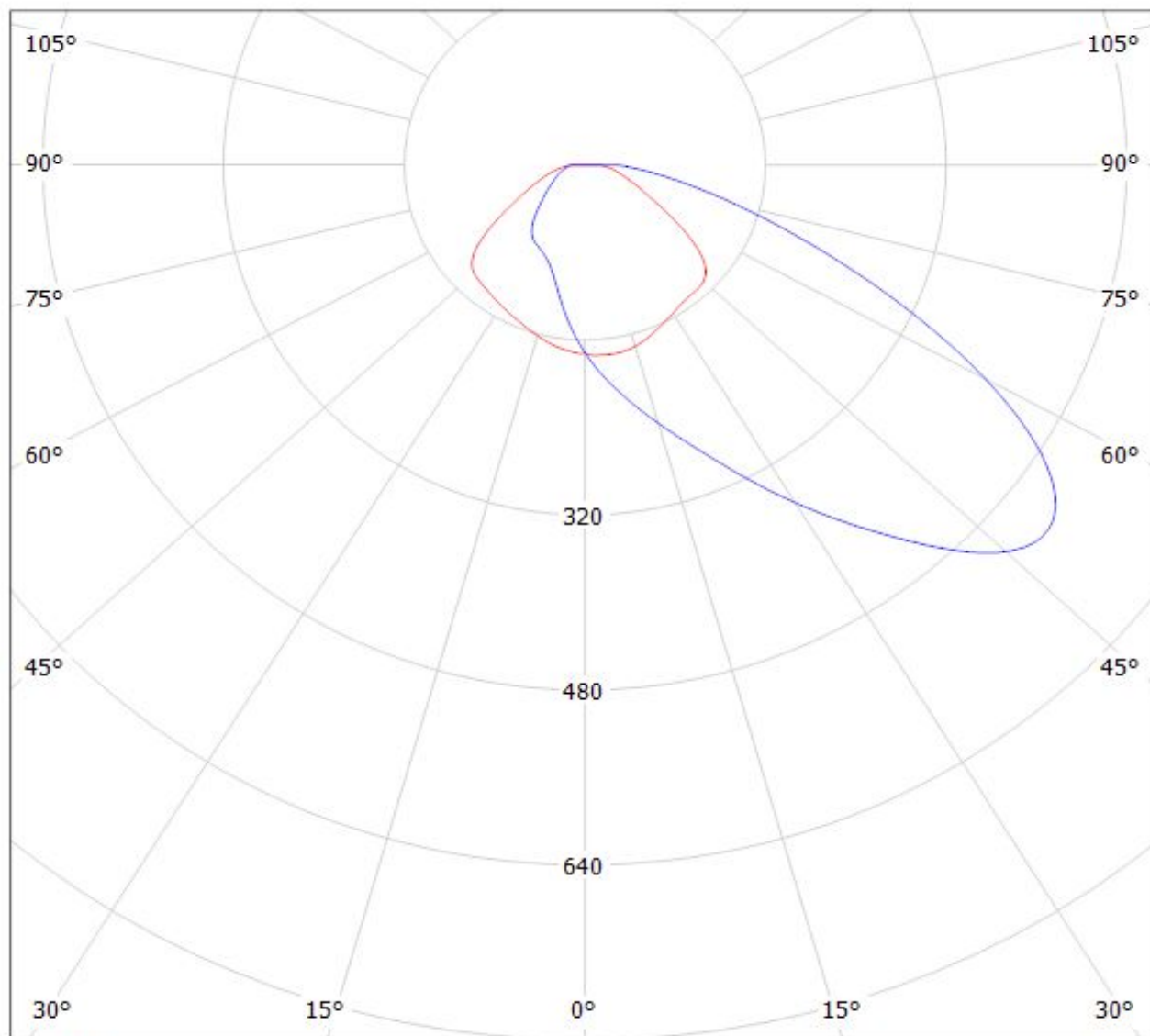
Luminaire: LEDiL Oy C13476\_STRADA-FT\_(LH351Z) Eff.92.3%  
Lamps: 1 x SAMSUNG\_LH351Z\_90.238lm@250mA\_P=0.747026W\_I=249.9mA



Luminaire: LEDiL Oy C13476\_STRADA-FT\_(XT-E) Eff.91.5%  
Lamps: 1 x XT-E (104.859lm@250mA)



Luminaire: LEDiL Oy C13476\_STRADA-FT\_(XP-G2) Eff.90%  
Lamps: 1 x XP-G2 (103.198lm@250mA)



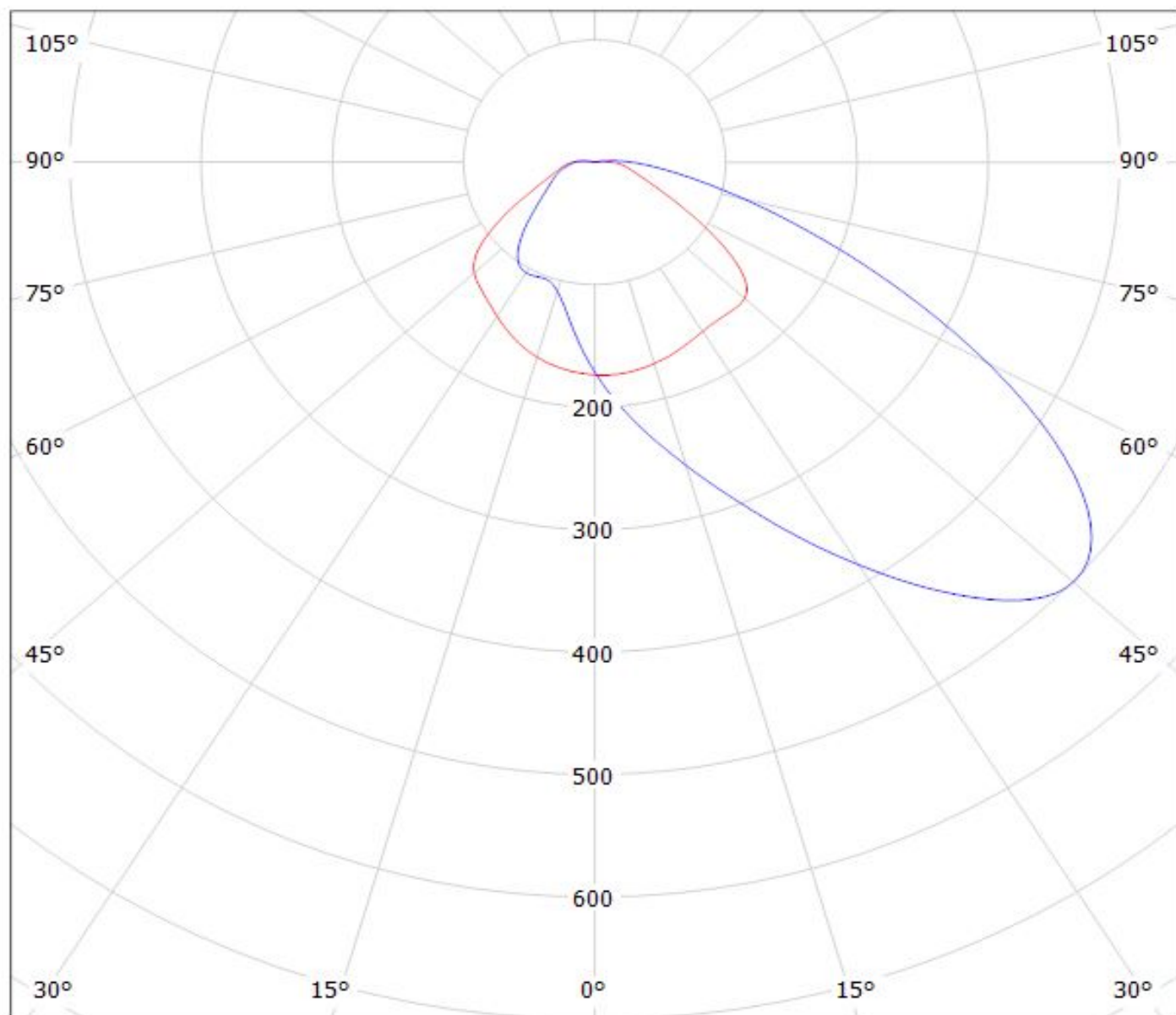
cd/klm

$\eta = 90\%$

— C0 - C180    — C90 - C270



Luminaire: LEDiL Oy C13476\_STRADA-FT\_(LH351B) Eff.91.4%  
Lamps: 1 x SAMSUNG\_LH351B\_107.146lm@250mA\_P=2.9284W\_I=249.8mA



cd/klm

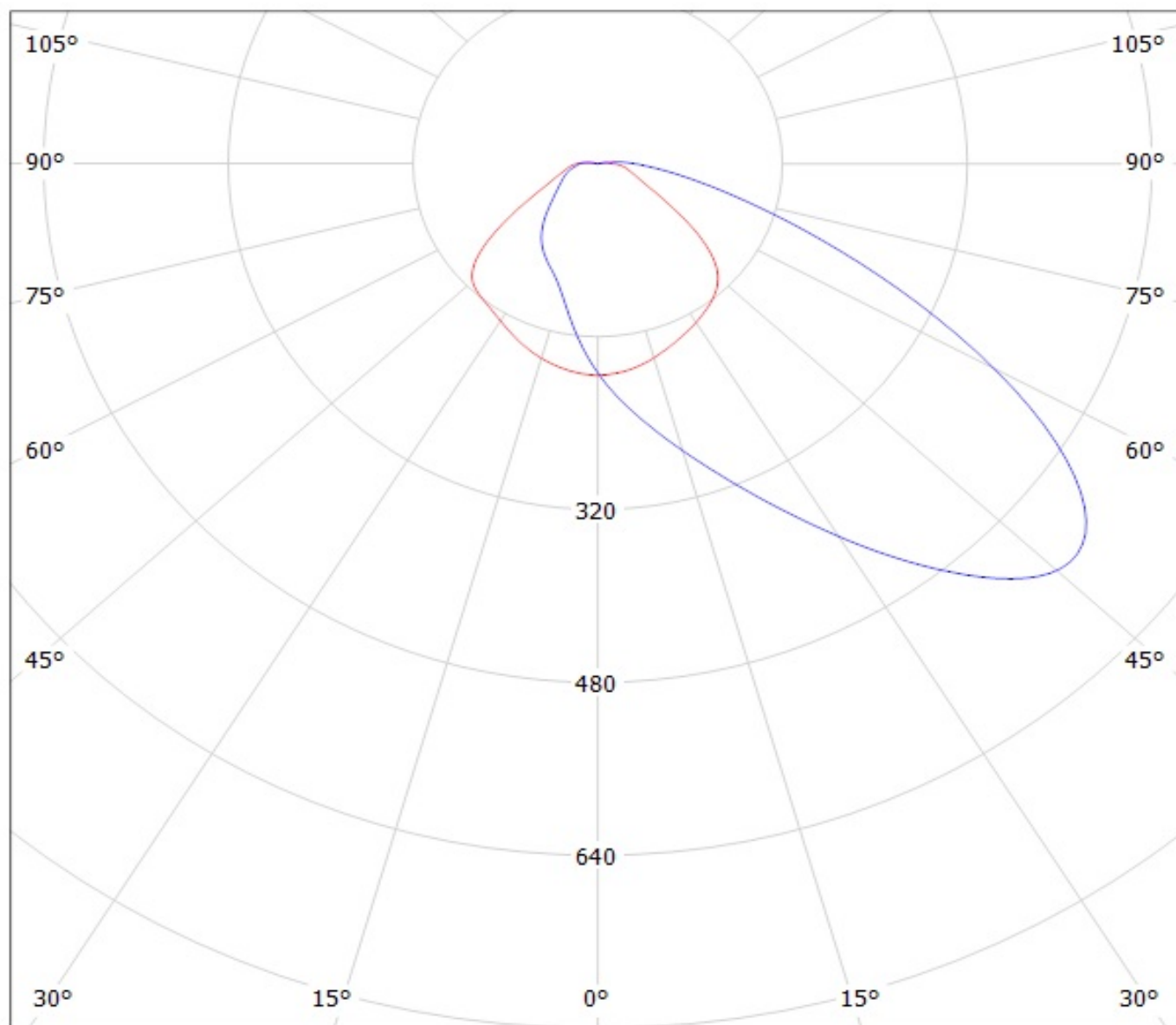
— C0 - C180

— C90 - C270

$\eta = 91\%$

Luminaire: LEDiL Oy C13476\_STRADA-FT\_(LH351Z) Eff.92.3%

Lamps: 1 x SAMSUNG\_LH351Z\_90.238lm@250mA\_P=0.747026W\_I=249.9mA



cd/klm

— C0 - C180

— C90 - C270

**NOTE: The typical divergence will be changed by different color, chip size and chip position tolerance. The typical total divergence is the full angle measured where the luminous intensity is half of the peak value.**