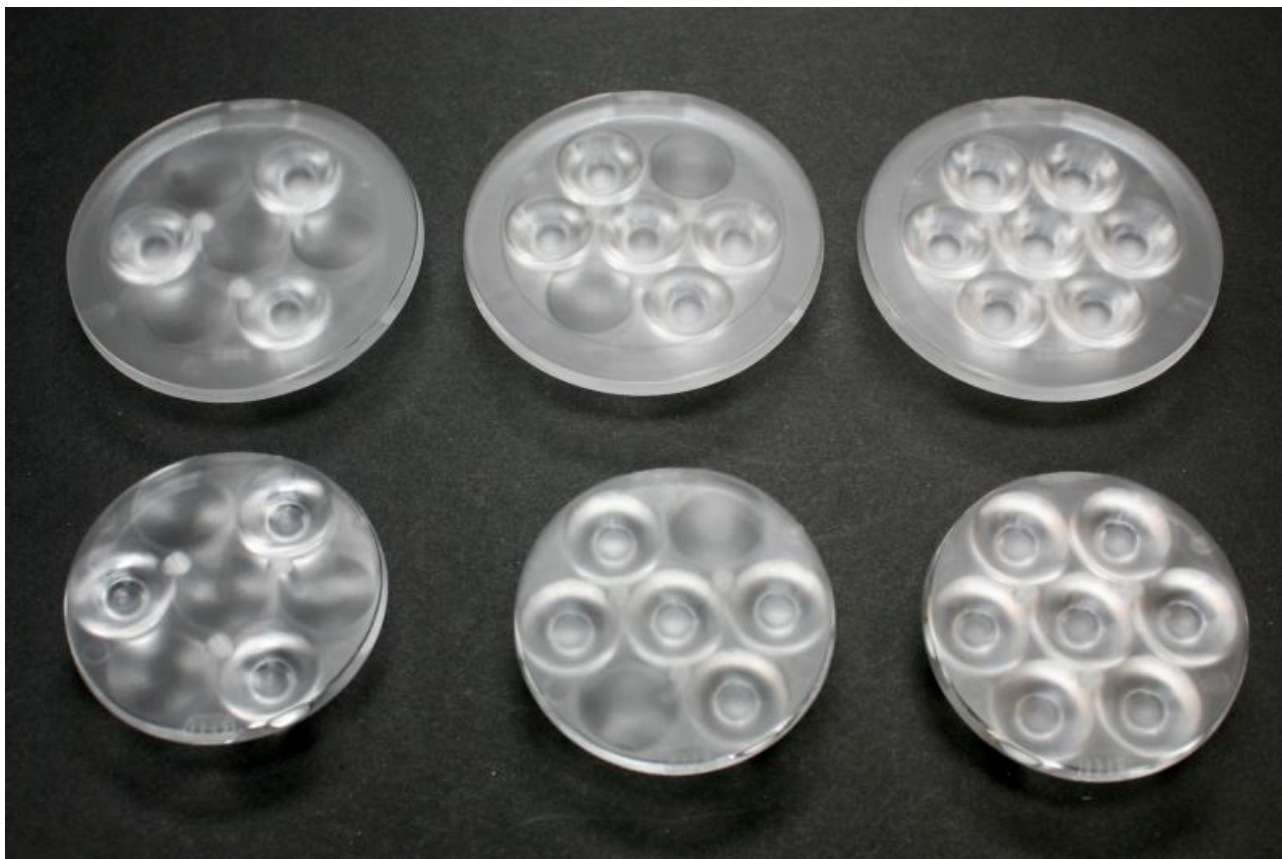


## ANNA SERIES FOR LUXEON REBEL/ES LEDs



- Lens material optical grade PMMA with high UV and temperature resistance (105°C/220°F)
- High optical efficiency, up to 90%
- No lens holder. Fastening to heat sink with a PU foam adhesive tape of automotive grade
- Please check fastening details from this link:  
([http://www.ledil.com/datasheets/DataSheet\\_GLUES.pdf](http://www.ledil.com/datasheets/DataSheet_GLUES.pdf))
- Available two diameters 40mm & 50mm

**LENS TYPES**

NAME	ORDERING CODE	FWHM Angle
ANNA-40-3 SPOT	C11710_Anna-40-3-S-RE	~±8°
ANNA-40-3 MEDIUM	C11711_Anna-40-3-M-RE	~ ±13°
ANNA-40-3 WIDE	C11712_Anna-40-3-W-RE	~±20°

ANNA-40-4 SPOT	C11793_Anna-40-4-S-RE	~±8°
ANNA-40-4 MEDIUM	C11794_Anna-40-4-M-RE	~ ±13°
ANNA-40-4 WIDE	C11795_Anna-40-4-W-RE	~±20°

ANNA-40-5 SPOT	C11713_Anna-40-5-S-RE	~±8°
ANNA-40-5 MEDIUM	C11714_Anna-40-5-M-RE	~ ±13°
ANNA-40-5 WIDE	C11715_Anna-40-5-W-RE	~±20°

ANNA-40-6 SPOT	C11805_Anna-40-6-S-RE	~±8°
ANNA-40-6 MEDIUM	C11806_Anna-40-6-M-RE	~ ±13°
ANNA-40-6 WIDE	C11807_Anna-40-6-W-RE	~±20°

ANNA-40-7 SPOT	C11716_Anna-40-7-S-RE	~±8°
ANNA-40-7 MEDIUM	C11717_Anna-40-7-M-RE	~ ±13°
ANNA-40-7 WIDE	C11718_Anna-40-7-W-RE	~±20°

NAME	ORDERING CODE	FWHM Angle
ANNA-50-3 SPOT	C11606_Anna-50-3-S-RE	~±8°
ANNA-50-3 MEDIUM	C11607_Anna-50-3-M-RE	~ ±13°
ANNA-50-3 WIDE	C11608_Anna-50-3-W-RE	~±20°

ANNA-50-4 SPOT	C11799_Anna-50-4-S-RE	~±8°
ANNA-50-4 MEDIUM	C11800_Anna-50-4-M-RE	~ ±13°
ANNA-50-4 WIDE	C11801_Anna-50-4-W-RE	~±20°

ANNA-50-5 SPOT	C11612_Anna-50-5-S-RE	~±8°
ANNA-50-5 MEDIUM	C11613_Anna-50-5-M-RE	~ ±13°
ANNA-50-5 WIDE	C11614_Anna-50-5-W-RE	~±20°

ANNA-50-6 SPOT	C11811_Anna-50-6-S-RE	~±8°
ANNA-50-6 MEDIUM	C11812_Anna-50-6-M-RE	~ ±13°
ANNA-50-6 WIDE	C11813_Anna-50-6-W-RE	~±20°

ANNA-50-7 SPOT	C11670_Anna-50-7-S-RE	~±8°
ANNA-50-7 MEDIUM	C11679_Anna-50-7-M-RE	~ ±13°
ANNA-50-7 WIDE	C11682_Anna-50-7-W-RE	~±20°

© Ledil Oy – Subject to change without prior notice

NAME	ORDERING CODE	FWHM Angle
ANNA-40-3 SPOT	C11710_Anna-40-3-S-RE-ES	~±8°
ANNA-40-3 MEDIUM	C11711_Anna-40-3-M-RE-ES	~ ±13°
ANNA-40-3 WIDE	C11712_Anna-40-3-W-RE-ES	~±20°

ANNA-40-4 SPOT	C11793_Anna-40-4-S-RE-ES	~±8°
ANNA-40-4 MEDIUM	C11794_Anna-40-4-M-RE-ES	~ ±13°
ANNA-40-4 WIDE	C11795_Anna-40-4-W-RE-ES	~±20°

ANNA-40-5 SPOT	C11713_Anna-40-5-S-RE-ES	~±8°
ANNA-40-5 MEDIUM	C11714_Anna-40-5-M-RE-ES	~ ±13°
ANNA-40-5 WIDE	C11715_Anna-40-5-W-RE-ES	~±20°

ANNA-40-6 SPOT	C11805_Anna-40-6-S-RE-ES	~±8°
ANNA-40-6 MEDIUM	C11806_Anna-40-6-M-RE-ES	~ ±13°
ANNA-40-6 WIDE	C11807_Anna-40-6-W-RE-ES	~±20°

ANNA-40-7 SPOT	C11716_Anna-40-7-S-RE-ES	~±8°
ANNA-40-7 MEDIUM	C11717_Anna-40-7-M-RE-ES	~ ±13°
ANNA-40-7 WIDE	C11718_Anna-40-7-W-RE-ES	~±20°

NAME	ORDERING CODE	FWHM Angle
ANNA-50-3 SPOT	C11606_Anna-50-3-S-RE-ES	~±8°
ANNA-50-3 MEDIUM	C11607_Anna-50-3-M-RE-ES	~ ±13°
ANNA-50-3 WIDE	C11608_Anna-50-3-W-RE-ES	~±20°

ANNA-50-4 SPOT	C11799_Anna-50-4-S-RE-ES	~±8°
ANNA-50-4 MEDIUM	C11800_Anna-50-4-M-RE-ES	~ ±13°
ANNA-50-4 WIDE	C11801_Anna-50-4-W-RE-ES	~±20°

ANNA-50-5 SPOT	C11612_Anna-50-5-S-RE-ES	~±8°
ANNA-50-5 MEDIUM	C11613_Anna-50-5-M-RE-ES	~ ±13°
ANNA-50-5 WIDE	C11614_Anna-50-5-W-RE-ES	~±20°

ANNA-50-6 SPOT	C11811_Anna-50-6-S-RE-ES	~±8°
ANNA-50-6 MEDIUM	C11812_Anna-50-6-M-RE-ES	~ ±13°
ANNA-50-6 WIDE	C11813_Anna-50-6-W-RE-ES	~±20°

ANNA-50-7 SPOT	C11670_Anna-50-7-S-RE-ES	~±8°
ANNA-50-7 MEDIUM	C11679_Anna-50-7-M-RE-ES	~ ±13°
ANNA-50-7 WIDE	C11682_Anna-50-7-W-RE-ES	~±20°

© Ledil Oy – Subject to change without prior notice

**MEASUREMENTS**

**COMING SOON**



---

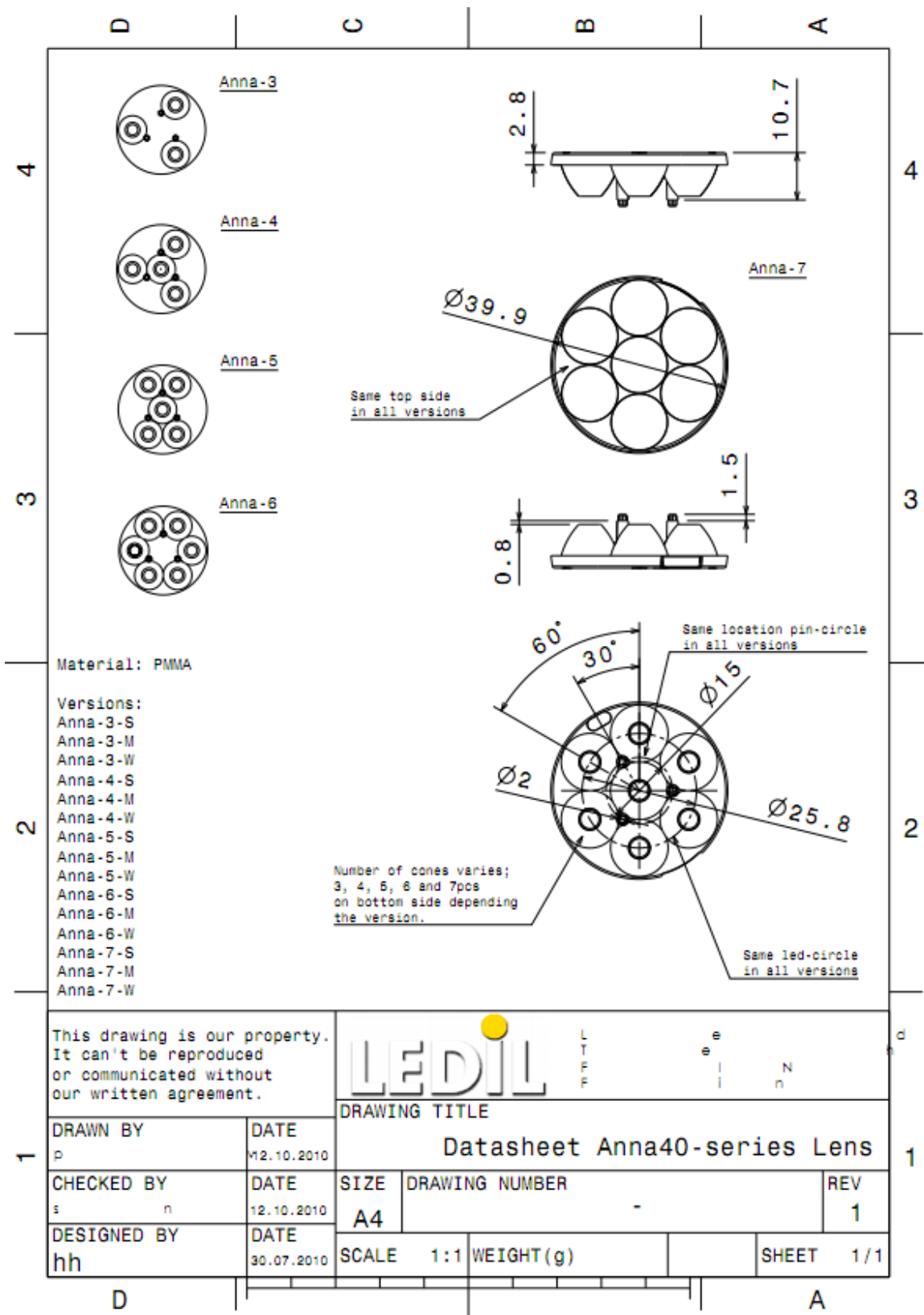
© Ledil Oy – Subject to change without prior notice

Ledil Oy  
Tehdaskatu 13  
FIN-24100 SALO, Finland

[www.ledil.com](http://www.ledil.com)  
email: [ledil@ledil.com](mailto:ledil@ledil.com)  
FAX: +358-2-733 8001

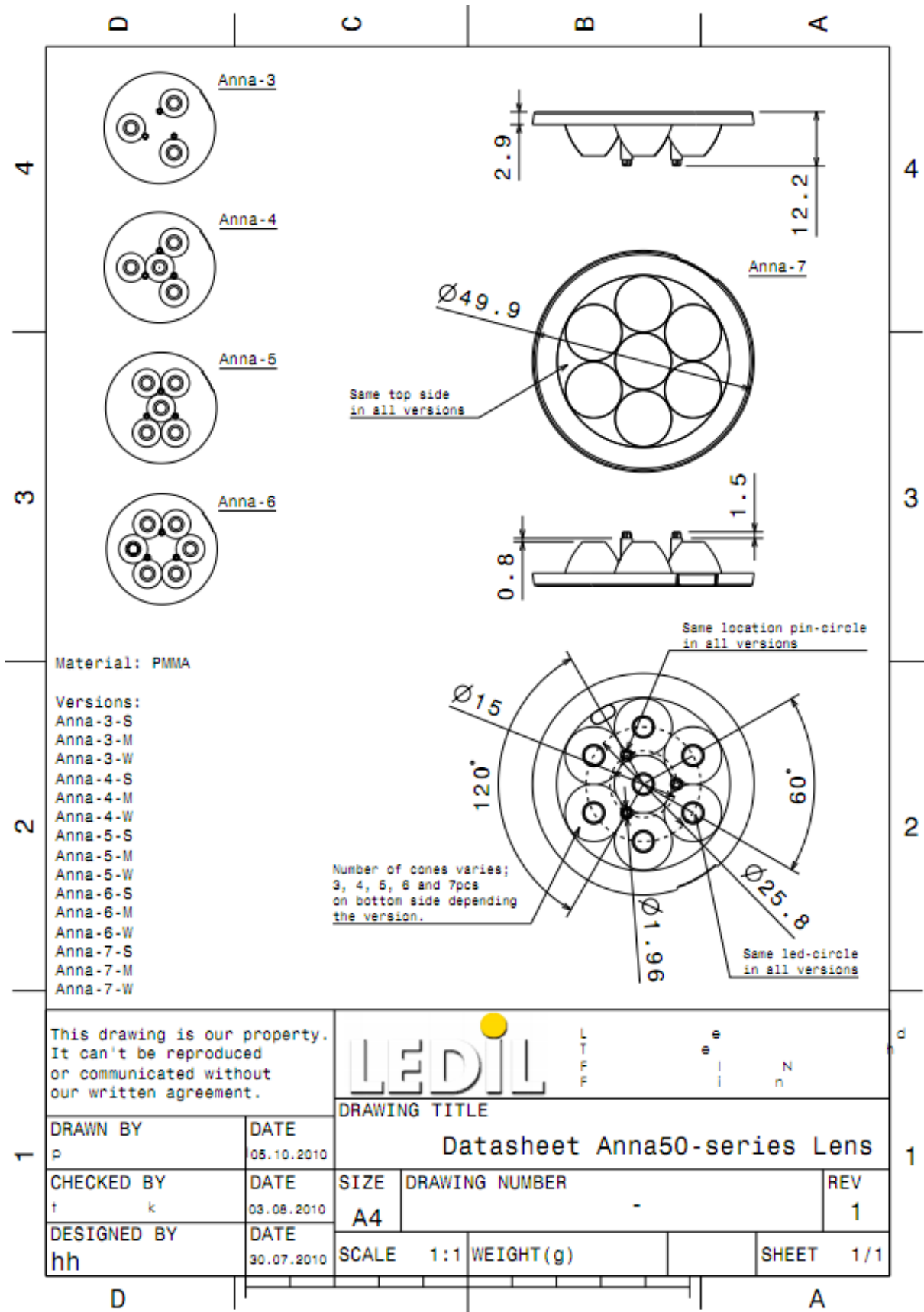
2010-12-31

## DRAWINGS



© Ledil Oy – Subject to change without prior notice





© Ledil Oy – Subject to change without prior notice