

D

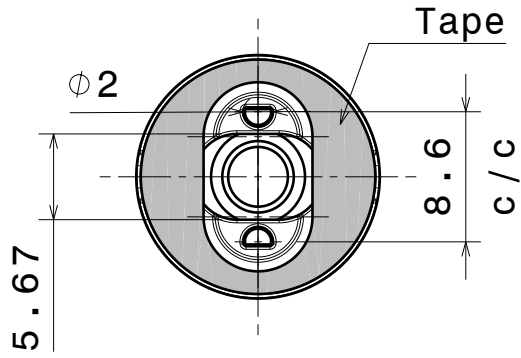
C

B

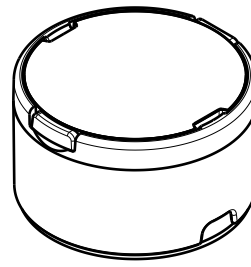
A

4

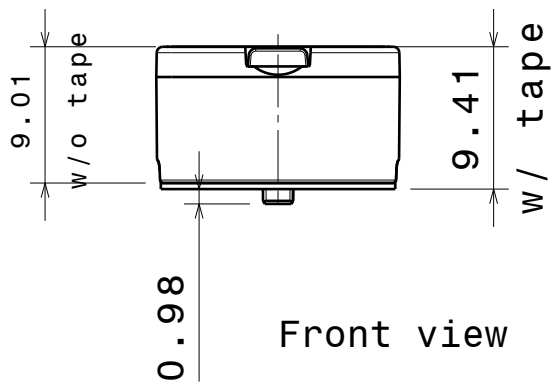
4



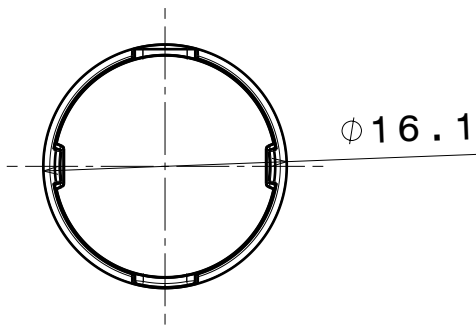
Bottom view



Isometric view



Front view



Top view

Materials
 Lens: PMMA
 Holder: PC
 Tape: PU Foam

3

3

2

2

1

1

This drawing is our property.
 It can't be reproduced
 or communicated without
 our written agreement.



Ledil Oy
 Salorankatu 10
 FIN 24240 SALO
 Finland

DRAWING TITLE Mechanical Drawing

DRAWN BY
 as

DATE
 10.9.2012

TINA-RE

CHECKED BY
 sn

DATE
 -

SIZE
 A4

PART NUMBER
 TINA-RE

REV
 001

DESIGNED BY
 -

DATE
 -

SCALE 2:1

WEIGHT

1,46 g

SHEET

1/1

D

A