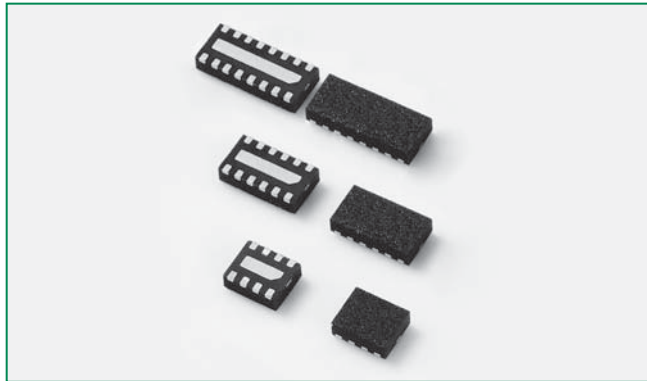
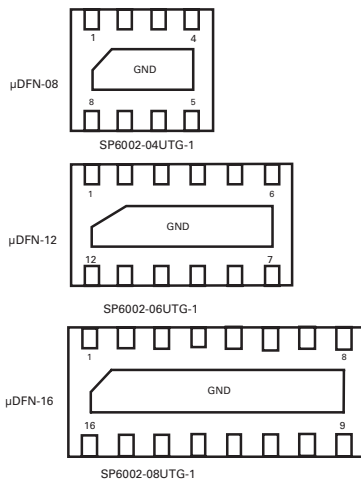


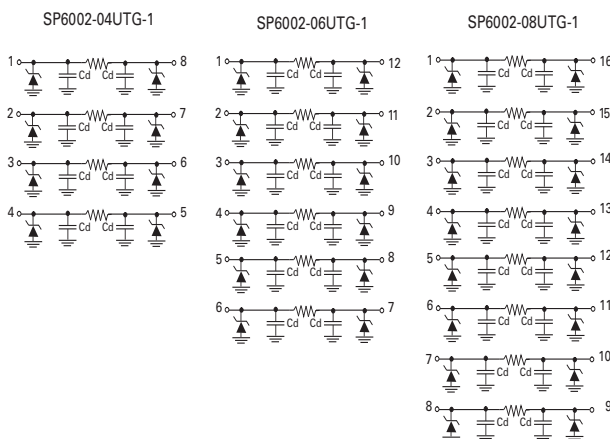
SP6002 Series 15pF 15kV EMI Filter Array



Pinout



Functional Block Diagram



Description

The Littelfuse SP6002 SPA series integrates 4, 6 and 8 EMI filters (C-R-C) into a small, low-profile µDFN package with each filter providing greater than -30dB attenuation at 800MHz. Additionally, each I/O is capable of shunting ±15kV ESD strikes (IEC61000-4-2, contact discharge) away from sensitive electronic components. The performance of this small, slim design makes it extremely suitable for mobile handsets, PDAs and notebook computers.

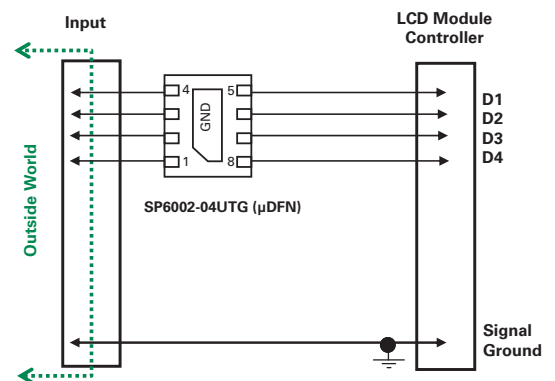
Features

- EMI filtering of frequencies from 800MHz to 3GHz
- Greater than -30dB attenuation (TYP) at 800MHz
- ESD, IEC61000-4-2, ±15kV contact, ±30kV air
- Small, low-profile µDFN (JEDEC MO-229) package (TYP 0.5mm height)

Applications

- Keypad interface for portable electronics
- LCD and camera display interfaces for handsets
- Connector interfaces for portable electronics
- Mobile phone
- Smartphone
- Portable navigation device

Application Example



Absolute Maximum Ratings

Symbol	Parameter	Value	Units
T _{OP}	Operating Temperature	-40 to 125	°C
T _{STOR}	Storage Temperature	-55 to 150	°C

CAUTION: Stresses above those listed in "Absolute Maximum Ratings" may cause permanent damage to the device. This is a stress only rating and operation of the device at these or any other conditions above those indicated in the operational sections of this specification is not implied.

Thermal Information

Parameter	Rating	Units
Storage Temperature Range	-55 to 150	°C
Maximum Junction Temperature	150	°C
Maximum Lead Temperature (Soldering 20-40s)	260	°C

Electrical Characteristics (T_{OP}=25°C)

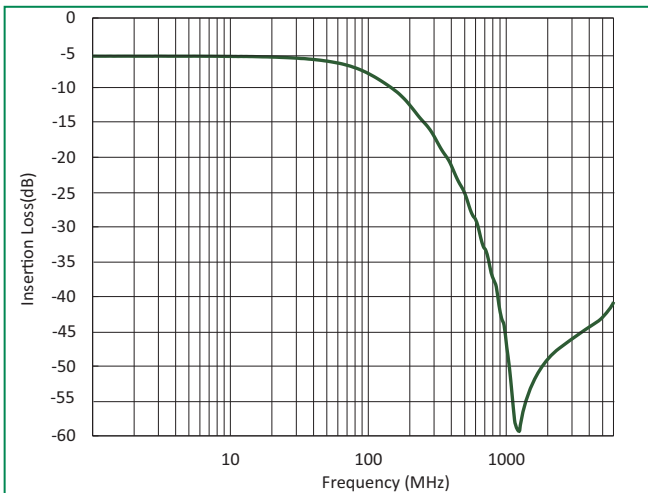
Parameter	Symbol	Test Conditions	Min	Typ	Max	Units
Reverse Standoff Voltage	V _{RWM}				5.0	V
Breakdown Voltage	V _{BR}	I _R =1mA		7.0		V
Reverse Leakage Current	I _{LEAK}	V _{RWM} =5V		0.1	1.0	µA
Resistance	R _A	I _R =10mA	80	100	120	Ω
Diode Capacitance ^{1,2}	C _D	V _R =2.5V, f=1MHz		15		pF
Line Capacitance ^{1,2}	C _L	V _R =2.5V, f=1MHz	24	30	36	pF
ESD Withstand Voltage ¹	V _{ESD}	IEC61000-4-2 (Contact Discharge)	±15			kV
		IEC61000-4-2 (Air Discharge)	±30			kV
Cutoff Frequency ³	F _{-3dB}	Above this frequency, appreciable attenuation occurs		100		MHz

Notes: ¹ Parameter is guaranteed by design and/or device characterization.

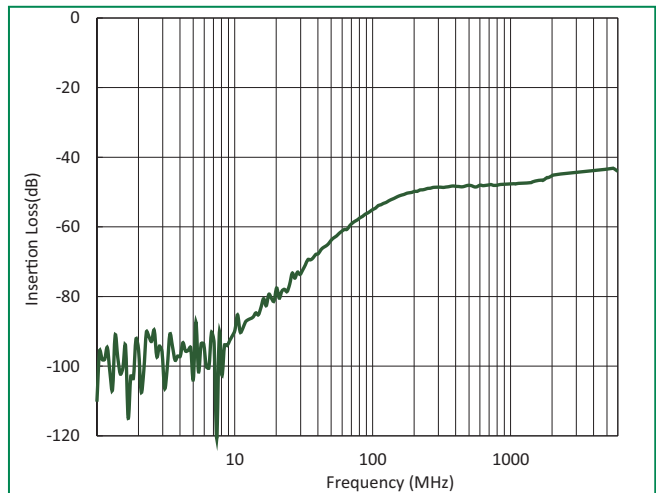
² Total line capacitance is two times the diode capacitance (C_D).

³ 50Ω source and 50Ω load termination

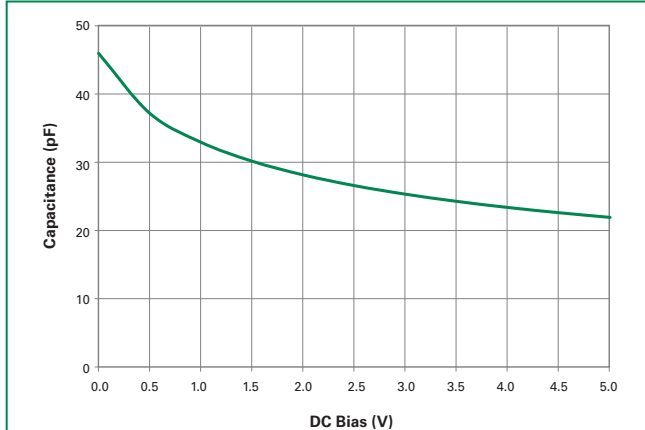
Insertion Loss (S21)



Analog Crosstalk (S41)



Line Capacitance vs. DC Bias



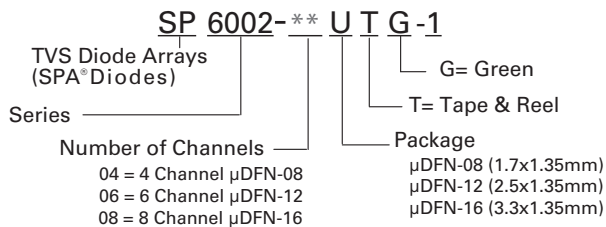
Product Characteristics

Lead Plating	Pre-Plated Frame
Lead Material	Copper Alloy
Lead Coplanarity	0.0004 inches (0.102mm)
Substitute Material	Silicon
Body Material	Molded Epoxy
Flammability	UL 94 V-0

Notes :

- All dimensions are in millimeters
- Dimensions include solder plating.
- Dimensions are exclusive of mold flash & metal burr.
- Blo is facing up for mold and facing down for trim/form, i.e. reverse trim/form.
- Package surface matte finish VDI 11-13.

Part Numbering System

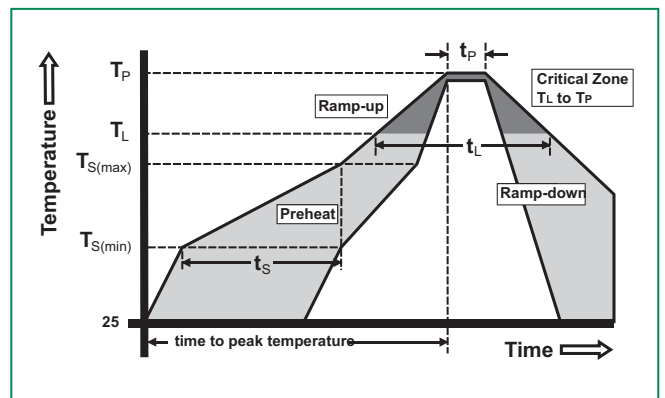


Ordering Information

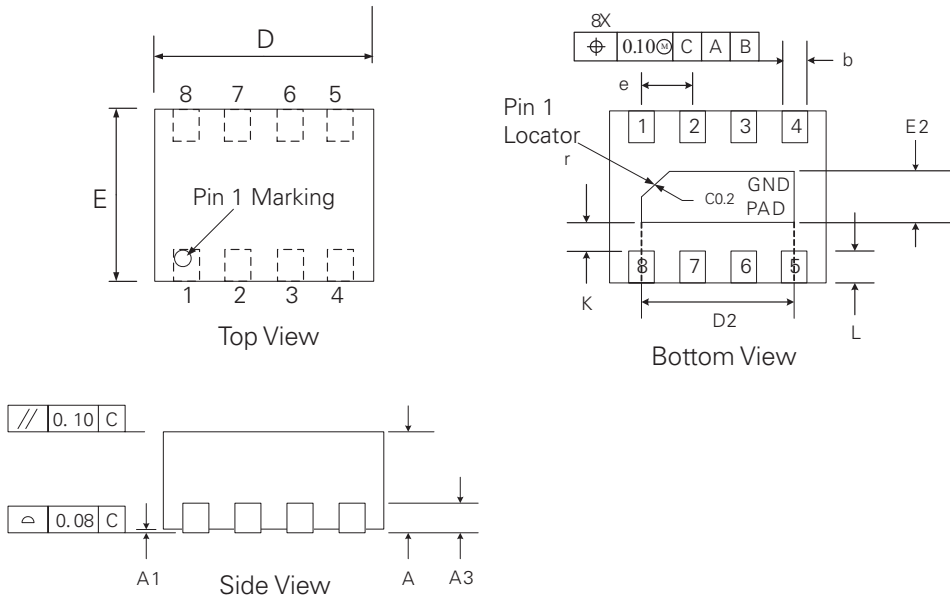
Part Number	Package	Size	Marking	Min. Order Qty.
SP6002-04UTG-1	μDFN-08	1.7x1.35mm	C12	3000
SP6002-06UTG-1	μDFN-12	2.5x1.35mm	C126	3000
SP6002-08UTG-1	μDFN-16	3.3x1.35mm	C128YYWW	3000

Soldering Parameters

Reflow Condition	Pb – Free assembly	
Pre Heat	- Temperature Min ($T_{s(min)}$)	150°C
	- Temperature Max ($T_{s(max)}$)	200°C
	- Time (min to max) (t_s)	60 – 180 secs
Average ramp up rate (Liquidus) Temp (T_L) to peak	3°C/second max	
$T_{s(max)}$ to T_L - Ramp-up Rate	3°C/second max	
Reflow	- Temperature (T_L) (Liquidus)	217°C
	- Temperature (t_L)	60 – 150 seconds
Peak Temperature (T_p)	260 ^{+0/-5} °C	
Time within 5°C of actual peak Temperature (t_p)	20 – 40 seconds	
Ramp-down Rate	6°C/second max	
Time 25°C to peak Temperature (T_p)	8 minutes Max.	
Do not exceed	260°C	

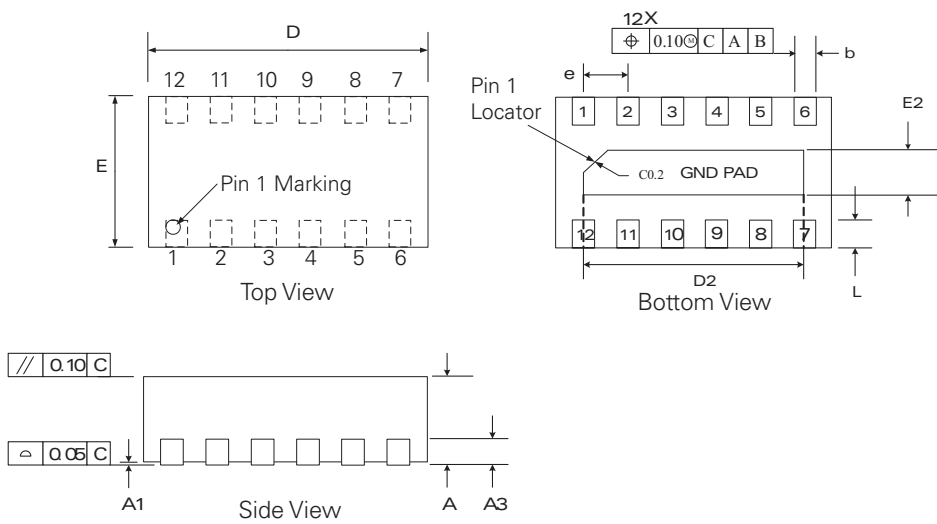


Package Dimensions – μ DFN-08



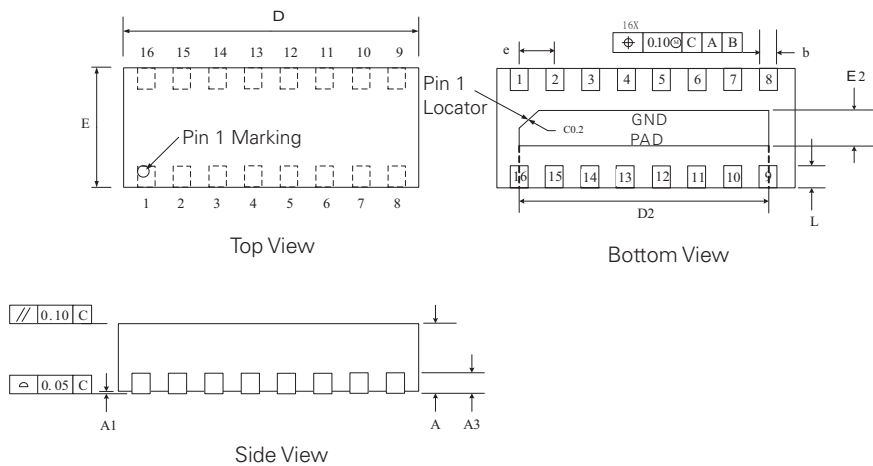
	μ DFN-08			
	JEDEC MO-229			
	Millimeters		Inches	
	Min	Max	Min	Max
A	0.45	0.55	0.018	0.022
A1	0.00	0.05	0.000	0.002
A3	0.152 REF		0.006 REF	
b	0.15	0.25	0.006	0.010
D	1.60	1.80	0.063	0.071
D2	1.10	1.30	0.043	0.051
E	1.25	1.45	0.049	0.057
E2	0.30	0.50	0.012	0.020
e	0.400 BSC		0.016 BSC	
K	0.20		0.008	
L	0.15	0.35	0.006	0.014

Package Dimensions – μ DFN-12



	μ DFN-12			
	JEDEC MO-229			
	Millimeters		Inches	
	Min	Max	Min	Max
A	0.45	0.55	0.018	0.022
A1	0.00	0.05	0.000	0.002
A3	0.102 REF		0.004 REF	
b	0.15	0.25	0.006	0.010
D	2.40	2.60	0.095	0.103
D2	1.90	2.10	0.075	0.083
E	1.25	1.45	0.050	0.058
E2	0.30	0.50	0.012	0.020
e	0.400 BSC		0.016 BSC	
L	0.15	0.35	0.006	0.014

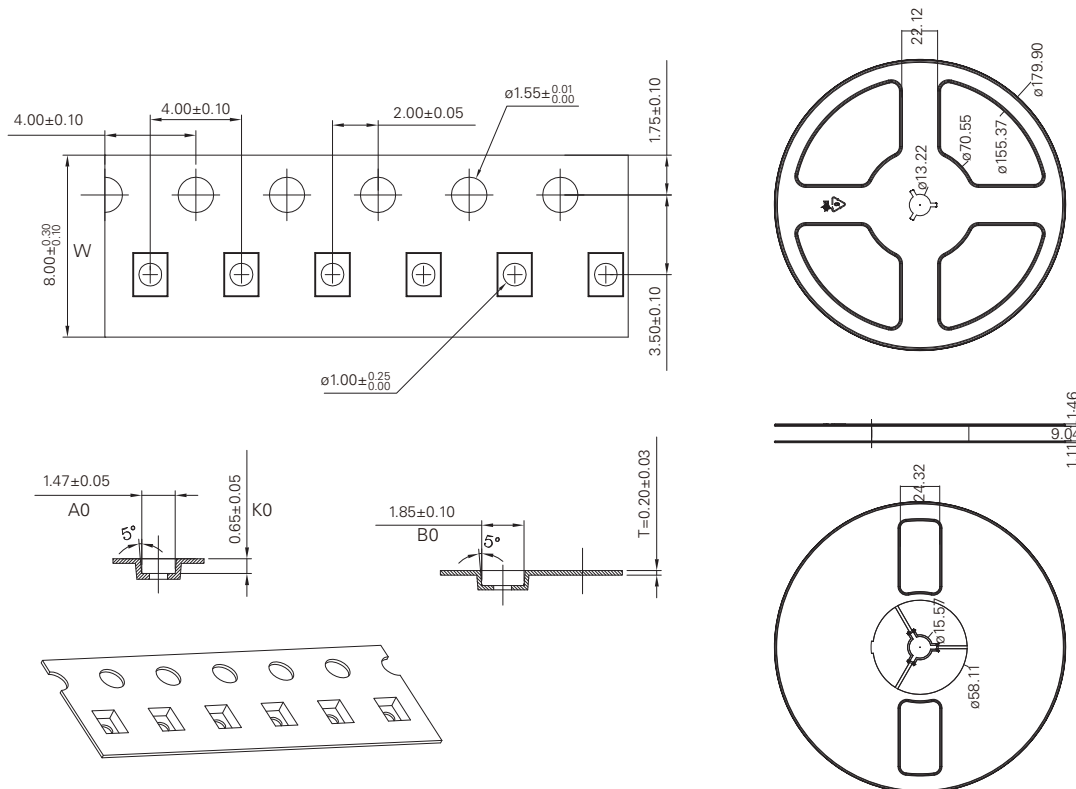
Package Dimensions — μ DFN-16



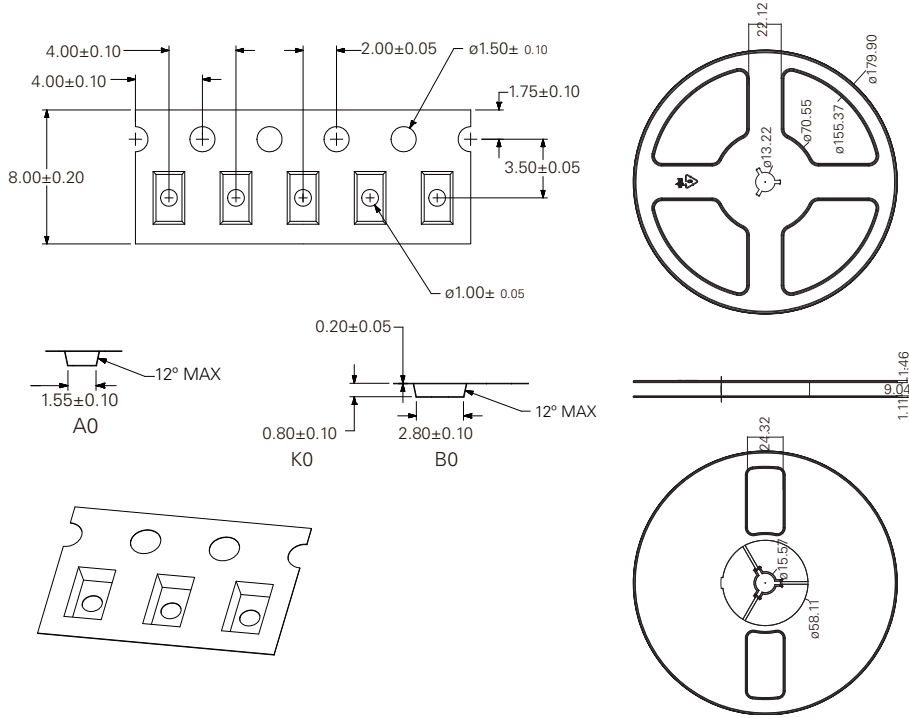
	μ DFN-16			
	JEDEC MO-229			
	Millimeters		Inches	
	Min	Max	Min	Max
A	0.45	0.55	0.018	0.022
A1	0.00	0.05	0.00	0.002
A3	0.102 REF		0.04 REF	
b	0.15	0.25	0.006	0.010
D	3.20	3.40	0.126	0.134
D2	2.70	2.90	0.106	0.114
E	1.25	1.45	0.049	0.057
E2	0.30	0.50	0.012	0.020
e	0.40 BSC		0.016 BSC	
L	0.15	0.35	0.006	0.014

SP6002

Embossed Carrier Tape & Reel Specification — μ DFN-08



Embossed Carrier Tape & Reel Specification — μ DFN-12



Embossed Carrier Tape & Reel Specification — μ DFN-16

