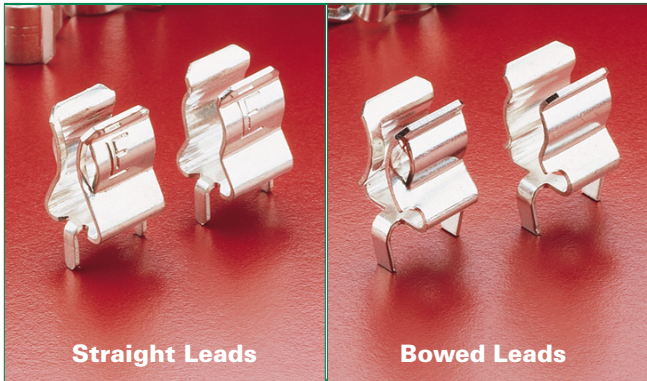


102/122 Series Circuit Board Mount Fuse Clips for 1/4" Diameter Fuses



Straight Leads

Bowed Leads

Agency Approval

Agency	Agency File Number	
	102 Series	122 Series
	E14721	

Additional Information



**Datasheet
102 Series**



**Resources
102 Series**



**Samples
102 Series**



**Datasheet
122 Series**



**Resources
122 Series**

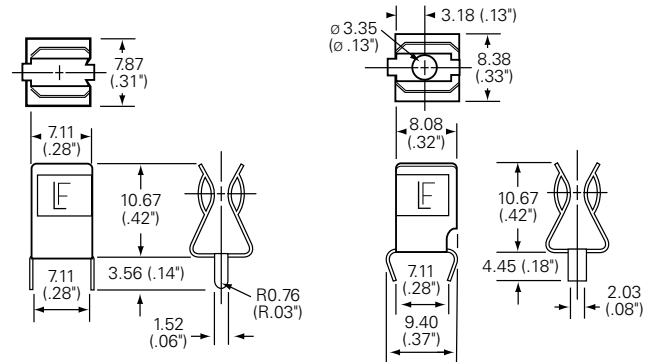


**Samples
122 Series**

Product Characteristics

	102 Series	122 Series
Compatible Fuse Size	1/4" Diameter Fuses 312, 313, 314, 326, 505, 506, 508 Series	
Current Level	15 amperes max	30 amperes max

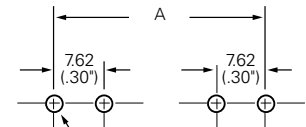
Product Dimensions



Straight Leads

Bowed Leads

Nominal Fuse Length	"A" Length
5/8	.750
3/4	.875
7/8	1.000
1	1.125
1 1/16	1.187
1 1/4	1.347
1 7/16	1.562



1.98 (.078") DIA. Holes - Straight Leads
2.54 (.100") DIA. Holes - Bowed Leads

Recommended Mounting Dimensions

Ordering Information

Ordering PN *	Catalog No.	Clip Material	Plating	Style	Packaging Available
Traditional Clips					
0102 0071	102 071	Spring Brass	Tin-plated	Ear	Z
0102 0074	102 074	Spring Brass	Tin-plated	Earless	Z
0102 0076	102 076	Spring Brass	Tin-plated	Ear	Z
0122 0083	122 083	Beryllium Copper	Silver-plated	Ear	Z
0122 0087	122 087	Beryllium Copper	Silver-plated	Earless	Z
0122 0088	122 088	Beryllium Copper	Tin-plated	Ear	Z
0122 0093	122 093	Beryllium Copper	Tin-plated	Earless	Z
Bowed Tab Clips					
0102 0078	102 078	Spring Brass	Tin-plated	Earless	H and Z
0102 0079	102 079	Spring Brass	Tin-plated	Ear	Z

*Add Suffix to the Ordering PN for Packaging:

"H" = std. package 100 pcs per pack

"Z" = for bulk package