

# Fuse Blocks and Clips

For 3AG Fuses

## RoHS 3AG Screw Terminal Laminated Base Type



**APPROVALS:** 356 000 Series (250V) Recognized under the Components Program of Underwriters Laboratories.

**SPECIFICATIONS:**

**Electrical:** Rated for currents up to 15 amperes (units with spring brass clips) or up to 30 amperes (beryllium copper clips).

**Clips:** 356 000 Series: Nickel-plated spring brass.

359 000 Series: Silver-plated beryllium copper.

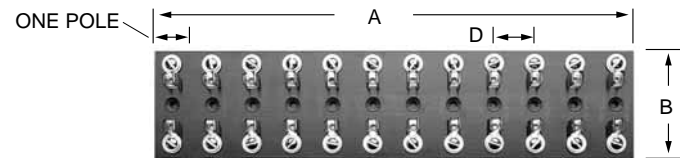
**Terminals:** 8-32THD screw type.

**Base:** Black phenolic laminate.

**Mounting Hole:** 3AG Block: Reference Dimensions  
.142"/.147" diameter with .295"/.302"  
x 82°C.S.

**ORDERING INFORMATION:  
(Including Reference Dimensions)**

| No. of Poles | For 3AG Fuses |                 |
|--------------|---------------|-----------------|
|              | Dimension "A" | Catalog Number  |
| 1            | .78"          | 356 001 359 001 |
| 2            | 1.69"         | 356 002 359 002 |
| 3            | 2.59"         | 356 003 359 003 |
| 4            | 3.50"         | 356 004 359 004 |
| 5            | 4.41"         | 356 005 359 005 |
| 6            | 5.31"         | 356 006 359 006 |
| 7            | 6.21"         | 356 007 359 007 |
| 8            | 7.12"         | 356 008 359 008 |
| 9            | 8.03"         | 356 009 359 009 |
| 10           | 8.94"         | 356 010 359 010 |
| 11           | 9.84"         | 356 011 359 011 |
| 12           | 10.75"        | 356 012 359 012 |

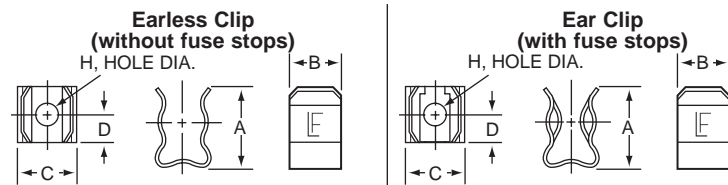


C = Board Thickness E = Overall Height  
356 000, 359 000 and 556 000 Series

**REFERENCE DIMENSIONS:**

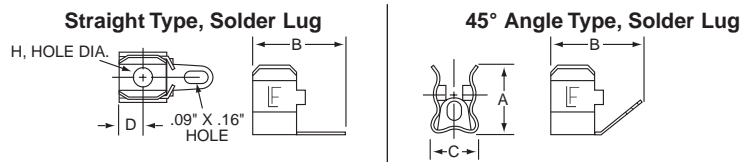
| Fuse Type | A   | B     | C    | D    | E    |
|-----------|-----|-------|------|------|------|
| 3AG       | See | 2.38" | .25" | .91" | .73" |

## RoHS For 1/4" – 13/16" Diameter Fuses Rivet/Eyelet Mount Type



† See Ordering Information below.

## RoHS For 1/4" Diameter Fuses Rivet/Eyelet Mount Solder Type



**ORDERING INFORMATION:**

| Style               | Fuse Type     | Catalog Number             |                                | Fuse Diameter | A     | B    | C    | D    | H Diameter |
|---------------------|---------------|----------------------------|--------------------------------|---------------|-------|------|------|------|------------|
|                     |               | Spring Brass Nickel-plated | Beryllium Copper Silver-plated |               |       |      |      |      |            |
| † Ear               | 3AG           | 101 001                    | 121 001                        | 1/4"          | .48"  | .31" | .30" | .16" | .131"      |
|                     | Midget        | 105 001                    | 125 001                        | 13/32"        | .75"  | .44" | .52" | .22" | .196"      |
|                     | NEC 1–30 amp  | 107 001                    | 127 001                        | 9/16"         | .94"  | .59" | .65" | .25" | .203"      |
|                     | NEC 30–60 amp | 109 001**                  | 129 001                        | 13/16"        | 1.31" | .75" | .87" | .30" | .265"      |
| † Earless           | 3AG           | 101 002                    | 121 002                        | 1/4"          | .48"  | .31" | .30" | .16" | .131"      |
|                     | Midget        | 105 002                    | 125 002                        | 13/32"        | .75"  | .44" | .52" | .22" | .196"      |
|                     | NEC 1–30 amp  | 107 002                    | 127 002                        | 9/16"         | .94"  | .59" | .65" | .25" | .203"      |
|                     | NEC 30–60 amp | 109 002**                  | 129 002                        | 13/16"        | 1.31" | .75" | .87" | .30" | .265"      |
| Solder Lug 45°      | 3AG           | 101 003*                   | 121 004                        | 1/4"          | .47"  | .56" | .31" | .16" | .131"      |
| Solder Lug Straight | 3AG           | 102 064*                   | —                              | 1/4"          | .47"  | .64" | .31" | .16" | .131"      |

\*Tin-plated \*\*Bare Phos. Bronze

# Fuse Blocks and Clips

For 1/4 Diameter Fuses

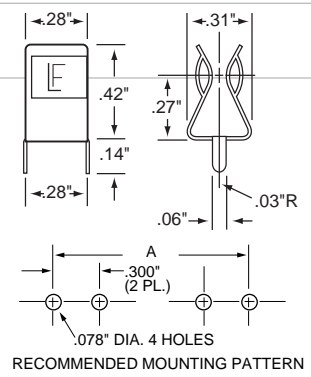
**RoHS** **Pb** **Traditional** P.C. Board Type

**ORDERING INFORMATION:**

| Catalog Number | Clip Material*   | Finish        | Style   |
|----------------|------------------|---------------|---------|
| 102 071        | Spring Brass     | Tin-plated    | Ear     |
| 102 074        | Spring Brass     | Tin-plated    | Earless |
| 102 076        | Spring Brass     | Hot Tin       | Ear     |
| 122 083        | Beryllium Copper | Silver-plated | Ear     |
| 122 087        | Beryllium Copper | Silver-plated | Earless |
| 122 088        | Beryllium Copper | Tin-plated    | Ear     |
| 122 093        | Beryllium Copper | Tin-plated    | Earless |



| Nominal Fuse Length | Length "A" |
|---------------------|------------|
| 5/8                 | .750       |
| 3/4                 | .875       |
| 7/8                 | 1.000      |
| 1                   | 1.125      |
| 1 1/16              | 1.187      |
| 1 1/4               | 1.347      |
| 1 1/2               | 1.562      |

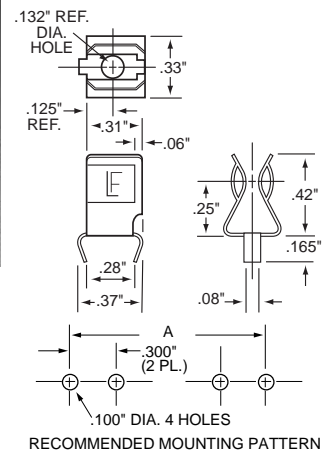


**RoHS** **Pb** **Bowed Tab** P.C. Board Type

| Catalog Number | Clip Material* | Finish     | Style   |
|----------------|----------------|------------|---------|
| 102 078        | Spring Brass   | Tin-plated | Earless |
| 102 079        | Spring Brass   | Tin-plated | Ear     |



| Nominal Fuse Length | Length "A" |
|---------------------|------------|
| 5/8                 | .750       |
| 3/4                 | .875       |
| 7/8                 | 1.000      |
| 1                   | 1.125      |
| 1 1/16              | 1.187      |
| 1 1/4               | 1.347      |
| 1 1/2               | 1.562      |

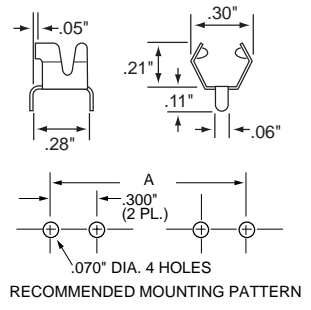


**RoHS** **Pb** **Low Profile** P.C. Board Type

| Catalog Number | Clip Material*   | Finish        | Style |
|----------------|------------------|---------------|-------|
| 102 080        | Spring Brass     | Tin-plated    | Ear   |
| 122 090        | Beryllium Copper | Silver-plated | Ear   |



| Nominal Fuse Length | Length "A" |
|---------------------|------------|
| 5/8                 | .760       |
| 3/4                 | .880       |
| 7/8                 | 1.005      |
| 1                   | 1.130      |
| 1 1/16              | 1.195      |
| 1 1/4               | 1.380      |
| 1 1/2               | 1.570      |



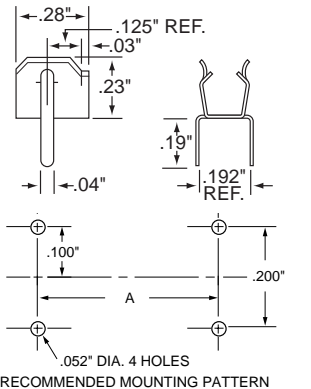
**RoHS** **Pb** **Low Profile** P.C. Board Type

| Catalog Number | Clip Material* | Finish     | Style |
|----------------|----------------|------------|-------|
| 100 058        | Spring Brass   | Tin-plated | Ear   |

\*NOTE: Spring brass clips are suitable for current levels up to 15 amperes; beryllium copper clips up to 30 amperes.



| Nominal Fuse Length | Length "A" |
|---------------------|------------|
| 1                   | 0.781      |
| 1 1/4               | 1.035      |
| 1 1/2               | 1.250      |



# Fuse Blocks and Clips

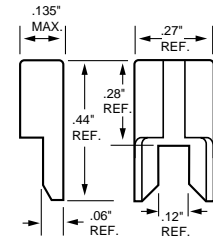
For Various Diameter Fuses

## RoHS ATO® Fuse Clip P.C. Board Type

### ORDERING INFORMATION:

| Catalog Number | Clip Material* | Finish     |
|----------------|----------------|------------|
| 100 057        | Spring Brass   | Tin-plated |

NOTE: #100 057 spring brass, tin-plated clips available for printed circuit board mounting. Suitable for current levels up to 15 amperes. First time fuse insertion force may approach 40 lbs.



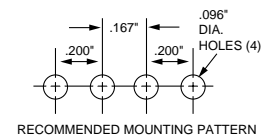
## RoHS For 2AG or 5mm Diameter Fuses P.C. Board Type

### ORDERING INFORMATION:

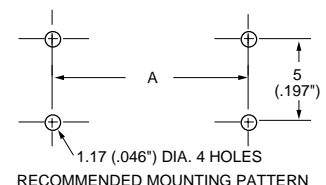
| Catalog Number | Clip Material    | Finish     | Style         |
|----------------|------------------|------------|---------------|
| 111 501        | Spring Brass     | Tin-plated | Ear           |
| 111 506        | Beryllium Copper | Tin-plated | Ear           |
| 111 505        | Beryllium Copper | Tin-plated | Surface Mount |

NOTE: Suitable for current levels up to 10 amperes.

NOTE: Metric dimensions are shown. Inch dimensions are in parentheses.



| Table | A Dim.      |
|-------|-------------|
| 2AG   | 12.7 (.50") |
| 5x20  | 17.8 (.70") |



## RoHS For 5mm Diameter Fuses P.C. Board Type

### ORDERING INFORMATION:

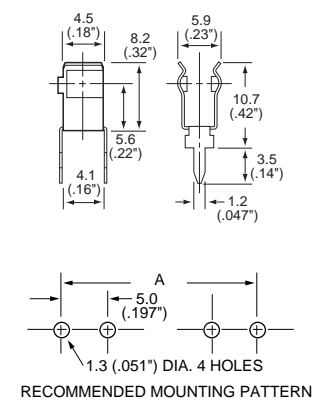
| Catalog Number | Clip Material | Finish        | Style |
|----------------|---------------|---------------|-------|
| 100 054        | Spring Brass  | Silver-plated | Ear   |
| 100 056        | Spring Brass  | Tin-plated    | Ear   |

NOTE: Spring brass clips are suitable for current levels up to 10 amperes.

NOTE: Metric dimensions are shown. Inch dimensions are in parentheses.



| Fuse Size  | A Dim.        |
|------------|---------------|
| 5mm x 20mm | 20.5 (.807")  |
| 5mm x 25mm | 25.5 (1.004") |
| 5mm x 30mm | 31.0 (1.220") |



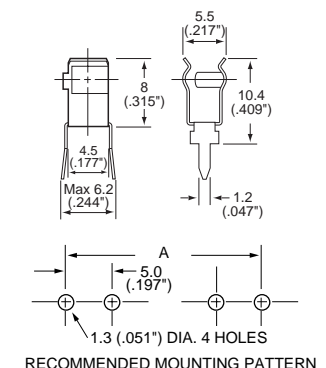
## RoHS For 5mm Diameter Fuses P.C. Board Type

### ORDERING INFORMATION:

| Catalog Number | Clip Material | Finish        | Style |
|----------------|---------------|---------------|-------|
| 0445 0001      | Spring Brass  | Tin-plated    | Ear   |
| 0030 0210      | Spring Brass  | Nickel-plated | Ear   |
| 0520 0001      | Spring Brass  | Silver-plated | Ear   |

NOTE: Spring brass clips are suitable for current levels up to 10 amperes.

| Fuse Size  | A Dim.        |
|------------|---------------|
| 5mm x 20mm | 20.5 (.807")  |
| 5mm x 25mm | 25.5 (1.004") |
| 5mm x 30mm | 31.0 (1.220") |



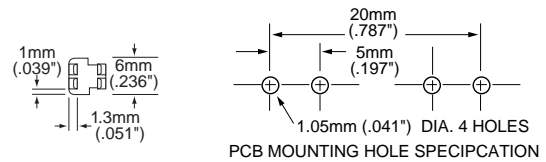
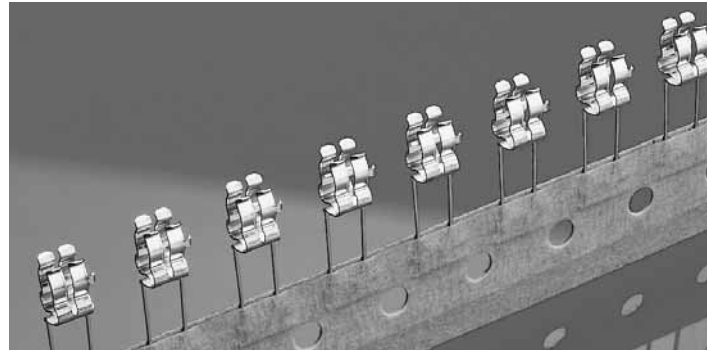
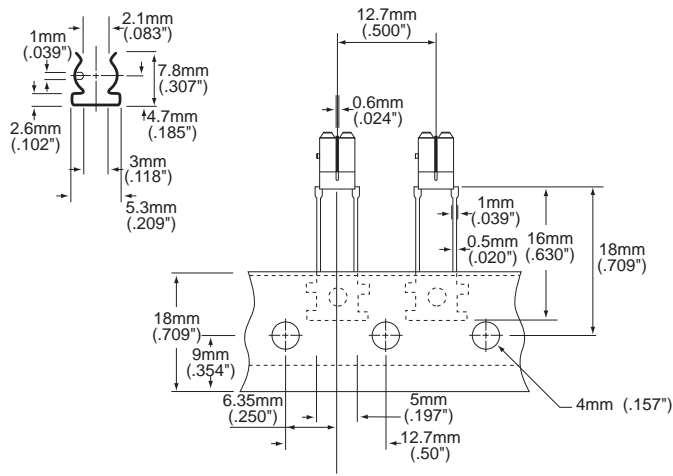
# Fuse Blocks and Clips

## RoHS For 5mm Diameter Fuses Automatic Insertion Type

### ORDERING INFORMATION:

| Catalog Number | Clip Material   | Finish     | Style |
|----------------|-----------------|------------|-------|
| 0111 0005MR    | Phosphor Bronze | Tin-plated | Ear   |

Ammo Pack 1000 Pcs.

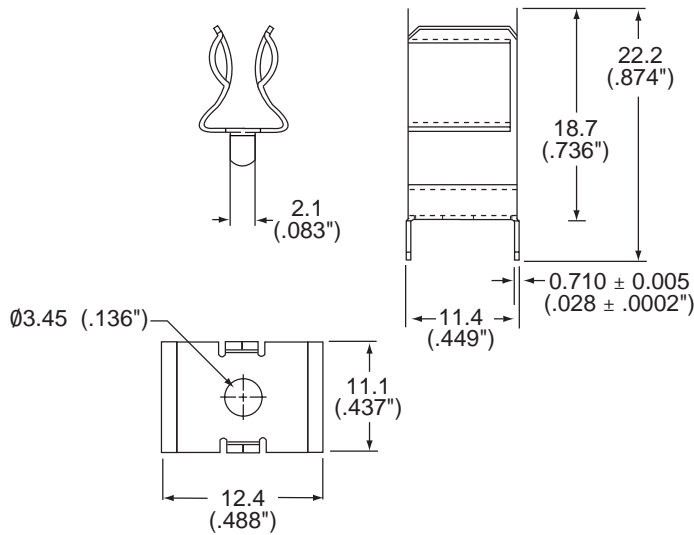


NOTE: #0111 005 phosphor bronze, tin-plated clips designed for automatic insertion are suitable for current levels up to 10 amperes.

## RoHS For Midget Fuses (13/32") PC Board Mount



### ELECTRICAL SPECIFICATIONS: 15A at 250VAC



### ORDERING INFORMATION:

| Catalog Number | Clip Material    | Finish     | Style | Amp Rating | Voltage Rating |
|----------------|------------------|------------|-------|------------|----------------|
| 0105 0003      | Spring Brass     | Tin-plated | Ear   | 15A        | 250VAC         |
| 0125 0003      | Beryllium Copper | Tin-plated | Ear   | 30A        | 250VAC         |