

RoHS **Class CC fuses CCMR, KLDR and KLKR Series**



Description

Fast-Acting KLKR fuses provide fast-acting protection to equipment containing surge sensitive components. Use KLKR Fuses for non-inductive loads not requiring time-delay.

CCMR fuses (formerly KLDR) are specifically designed to withstand sustained starting currents of small motors. The CCMR Fuses provide short-circuit protection for motor branch-circuits.

KLDR fuses are specifically designed to withstand the momentary high magnetizing currents of control transformers, solenoids, and similar inductive loads.

Agency Approvals

| Agency | Agency File Number | Ampere Range |
|--------|--------------------|---|
| | E81895 | 0.1 - 30A (KLDR/KLKR) 0.2 - 60A (CCMR) |
| | LR 29862 | 0.1 - 30A |

Notes:

KLKR Series: UL listed Fast-Acting Class CC per UL 248 and CSA Certified

KLDR Series: UL listed Time-Delay Class CC per UL 248 and CSA Certified.

CCMR Series: UL listed Time-Delay Class CC per UL 248 and CSA Certified, and 35-60A UL Listed Time-Delay Class CD.

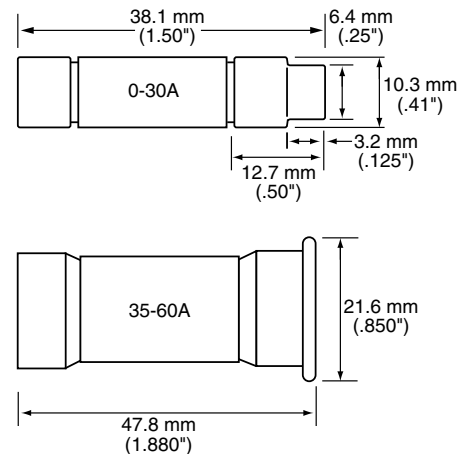
Electrical Characteristics for Series

| % of Ampere Rating | Ampere Rating | Opening Time |
|--------------------|---------------|---------------------|
| 110% | 0-30A | 15 minutes, Minimum |
| 135% | 0-30A | 1 hour, Maximum |
| 200% | 0-30A | 4 minutes, Maximum |
| 200% Time-delay | | 12 seconds, Minimum |

Product Characteristics

| | |
|-----------------------------|--|
| Voltage Rating | AC: 600 Volts |
| | DC: 250 Volts (CCMR 0.2 – 2A) (CCMR 4.5 – 10A) (CCMR 35 – 60A) |
| RoHS compliant items | 300 Volts (CCMR 2.25 – 4A) |
| | 300 Volts (KLDR) |
| | 300 Volts (KLKR) |
| | 500 Volts (CCMR 2 - 30A) |
| | KLKR - 0.1A - 30A |
| | CCMR - 25A and 30A |
| | KLDR - 0.1A - 7.5A, 25A and 30A |

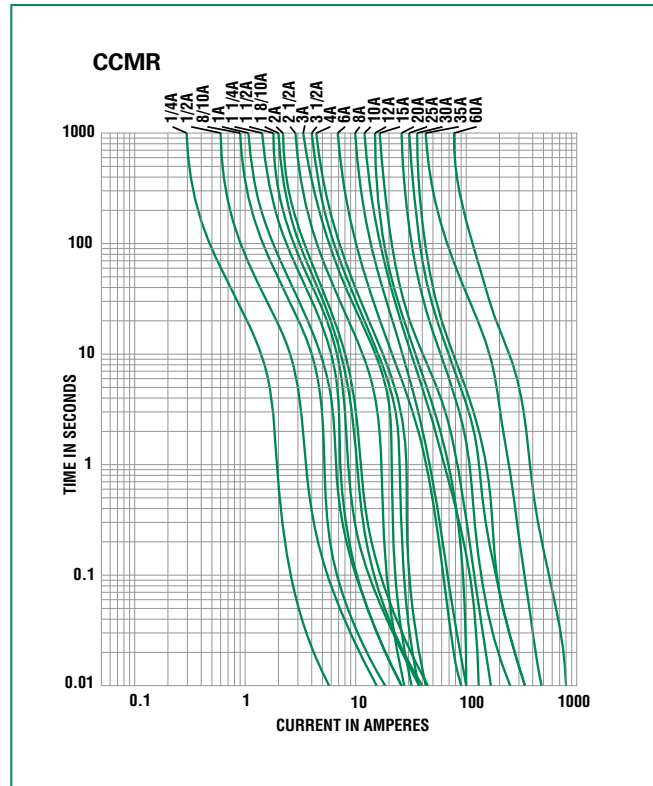
Dimensions



Electrical Specifications by Item -- CCMR Series

| Amp Code | Amp Rating (A) | Interrupting Rating | Nominal Cold Resistance (Ohms) | Agency Approvals | |
|-----------|----------------|---------------------------------------|--------------------------------|------------------|----|
| | | | | UL | SF |
| CCMR.200 | .2 | AC 200,000 ampere DC 20,000 ampere | 68.4 | x | x |
| CCMR.250 | .25 | | 43.3 | x | x |
| CCMR.300 | .3 | | 28.6 | x | x |
| CCMR.500 | .5 | | 7.62 | x | x |
| CCMR.600 | .6 | | 8.2 | x | x |
| CCMR.800 | .8 | | 4.013 | x | x |
| CCMR 001 | 1 | | 2.85 | x | x |
| CCMR 1.25 | 1.25 | | 1.687 | x | x |
| CCMR 01.4 | 1.4 | | 1.39 | x | x |
| CCMR 01.5 | 1.5 | | 1.24 | x | x |
| CCMR 01.6 | 1.6 | | .9894 | x | x |
| CCMR 01.8 | 1.8 | | .7783 | x | x |
| CCMR 002 | 2 | | .485 | x | x |
| CCMR 2.25 | 2.25 | | .337 | x | x |
| CCMR 02.5 | 2.5 | | .3375 | x | x |
| CCMR 02.8 | 2.8 | | .2400 | x | x |
| CCMR 003 | 3 | | .2188 | x | x |
| CCMR 03.2 | 3.2 | | .1855 | x | x |
| CCMR 03.5 | 3.5 | | .1346 | x | x |
| CCMR 004 | 4 | | .121 | x | x |
| CCMR 04.5 | 4.5 | | .0835 | x | x |
| CCMR 005 | 5 | | .07780 | x | x |
| CCMR 05.6 | 5.6 | | .0535 | x | x |
| CCMR 006 | 6 | | .0517 | x | x |
| CCMR 6.25 | 6.25 | | .0464 | x | x |
| CCMR 007 | 7 | | .0369 | x | x |
| CCMR 07.5 | 7.5 | | .027 | x | x |
| CCMR 008 | 8 | | .0259 | x | x |
| CCMR 009 | 9 | | .0193 | x | x |
| CCMR 010 | 10 | | .0135 | x | x |
| CCMR 012 | 12 | | .0121 | x | x |
| CCMR 015 | 15 | | .00795 | x | x |
| CCMR 17.5 | 17.5 | | .00495 | x | x |
| CCMR 020 | 20 | | .00360 | x | x |
| CCMR 025 | 25 | | .00306 | x | x |
| CCMR 030 | 30 | | .00257 | x | x |
| CCMR 035 | 35 | | .00408 | x | x |
| CCMR 040 | 40 | | .00290 | x | x |
| CCMR 045 | 45 | | .00229 | x | x |
| CCMR 050 | 50 | | .00169 | x | x |
| CCMR 060 | 60 | | .00112 | x | x |

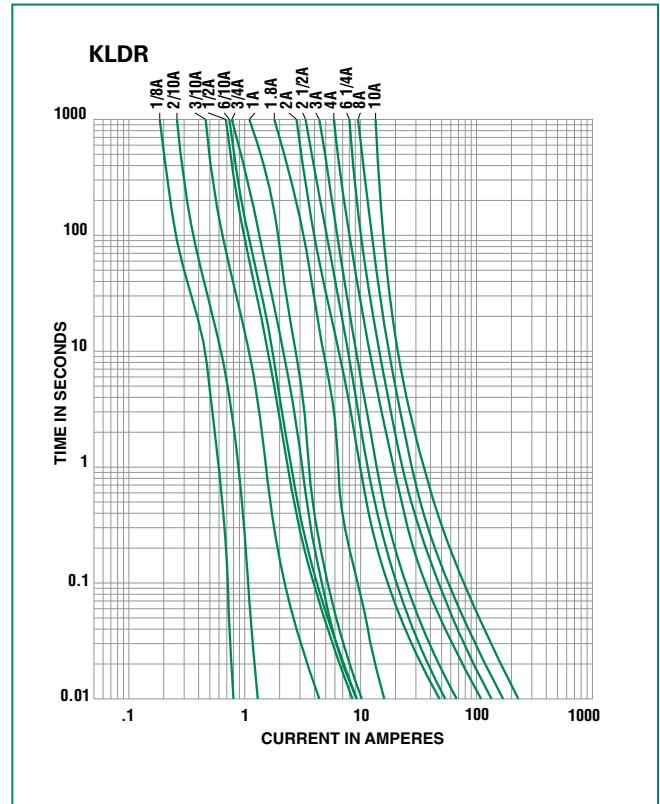
Average Time Current Curves -- CCMR Series



Electrical Specifications by Item -- KLDR Series

| Amp Code | Amp Rating (A) | Interrupting Rating | Nominal Cold Resistance (Ohms) | Agency Approvals | |
|-----------|----------------|---------------------------------------|--------------------------------|------------------|----|
| | | | | UL | CS |
| KLDR.100 | .1 | AC 200,000 ampere DC 20,000 ampere | 246 | x | x |
| KLDR.125 | .125 | | 134.9 | x | x |
| KLDR.150 | .15 | | 96 | x | x |
| KLDR.187 | .1875 | | 66.4 | x | x |
| KLDR.200 | .2 | | 57.8 | x | x |
| KLDR.250 | .25 | | 31.61 | x | x |
| KLDR.300 | .3 | | 35.3 | x | x |
| KLDR.400 | .4 | | 23.0 | x | x |
| KLDR.500 | .5 | | 10.7 | x | x |
| KLDR.600 | .6 | | 734 | x | x |
| KLDR.750 | .75 | | 6.20 | x | x |
| KLDR.800 | .8 | | 6.20 | x | x |
| KLDR 001. | 1 | | 1.068 | x | x |
| KLDR 1.12 | 1.125 | | 2.94 | x | x |
| KLDR 1.25 | 1.25 | | 2.33 | x | x |
| KLDR 01.4 | 1.4 | | 1.5 | x | x |
| KLDR 01.5 | 1.5 | | .898 | x | x |
| KLDR 01.6 | 1.6 | | .625 | x | x |
| KLDR 01.8 | 1.8 | | .486 | x | x |
| KLDR 002 | 2 | | .55 | x | x |
| KLDR 2.25 | 2.25 | | .52 | x | x |
| KLDR 02.5 | 2.5 | | .333 | x | x |
| KLDR 02.8 | 2.8 | | .26 | x | x |
| KLDR 003 | 3 | | .21 | x | x |
| KLDR 03.2 | 3.2 | | .171 | x | x |
| KLDR 03.5 | 3.5 | | .239 | x | x |
| KLDR 004 | 4 | | .118 | x | x |
| KLDR 04.5 | 4.5 | | .082 | x | x |
| KLDR 005 | 5 | | .0440 | x | x |
| KLDR 05.6 | 5.6 | | .0334 | x | x |
| KLDR 006 | 6 | .0315 | x | x | |
| KLDR 6.25 | 6.25 | .03 | x | x | |
| KLDR 007 | 7 | .02674 | x | x | |
| KLDR 07.5 | 7.5 | .0205 | x | x | |
| KLDR 008 | 8 | .0259 | x | x | |
| KLDR 009 | 9 | .0193 | x | x | |
| KLDR 010 | 10 | .0135 | x | x | |
| KLDR 012 | 12 | .0121 | x | x | |
| KLDR 015 | 15 | .00795 | x | x | |
| KLDR 17.5 | 17.5 | .00495 | x | x | |
| KLDR 020 | 20 | .0036 | x | x | |
| KLDR 025 | 25 | .00306 | x | x | |
| KLDR 030 | 30 | .00257 | x | x | |

Average Time Current Curves -- KLDR Series



Electrical Specifications by Item -- KLKR Series

| Ampere Code | Amp Rating (A) | Interrupting Rating | Nominal Cold Resistance (Ohms) | Agency Approvals | |
|-------------|----------------|---------------------------------------|--------------------------------|------------------|----|
| | | | | UL | SF |
| KLKR.100 | .1 | AC 200,000 ampere DC 20,000 ampere | 79.33 | x | x |
| KLKR.125 | .125 | | 56.52 | x | x |
| KLKR.200 | .2 | | 28.21 | x | x |
| KLKR.250 | .25 | | 19.22 | x | x |
| KLKR.300 | .3 | | 15.10 | x | x |
| KLKR.500 | .5 | | 6.95 | x | x |
| KLKR.750 | .75 | | 1.994 | x | x |
| KLKR 001 | 1 | | .2342 | x | x |
| KLKR 01.5 | 1.5 | | .225 | x | x |
| KLKR 002. | 2 | | .135 | x | x |
| KLKR 02.5 | 2.5 | | .0906 | x | x |
| KLKR 003 | 3 | | .0776 | x | x |
| KLKR 03.5 | 3.5 | | .0562 | x | x |
| KLKR 004 | 4 | | .0468 | x | x |
| KLKR 005 | 5 | | .0332 | x | x |
| KLKR 006 | 6 | | .0238 | x | x |
| KLKR 007 | 7 | | .0208 | x | x |
| KLKR 008 | 8 | | .0177 | x | x |
| KLKR 009 | 9 | | .0151 | x | x |
| KLKR 010 | 10 | | .01325 | x | x |
| KLKR 012 | 12 | | .00852 | x | x |
| KLKR 015 | 15 | | .0074 | x | x |
| KLKR 020 | 20 | | .00511 | x | x |
| KLKR 025 | 25 | | .003775 | x | x |
| KLKR 030 | 30 | | .002954 | x | x |

Average Time Current Curves -- KLKR Series

