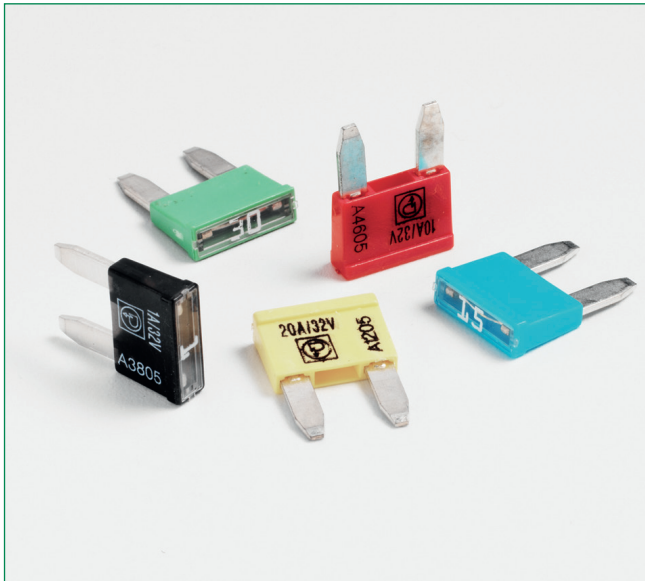


FK1 MINI® STYLE BLADE FUSE RATED 32V



Specifications

| | |
|----------------------|--|
| Insulating Body: | Out of thermoplastic (UL 94-V0, heat-resistant) |
| Interrupting Rating: | 1000 A @32 VDC |
| Cover: | Out of thermoplastic (V0, transparent) Visible melting-element Shunt: Red, not transparent |
| Terminals: | Blade contacts Copper alloy, gal. Sn plated Edge-protected |
| Complies with: | ISO 8820-3:2002(E) UL 248 Special Purpose Fuses |
| cULus Recognized: | File No. E10480 |

Ordering Information

| Part Number | Package Size |
|---------------|--------------|
| 168.6785.xxx2 | 8000 |
| 168.6785.xxx7 | 50 |

Description

The FK1 32V automotive standard fuse link in a MINI® package. Three part construction with copper contacts for excellent reliability in harsh environment conditions with low voltage drop. Current ratings 1A thru 30A. See-through cover for easy detection of blown fuses.

Time-Current Characteristics

| % of Rating | Opening Time Min / Max (s) |
|-------------|----------------------------|
| 110 | 360,000 s / - |
| 135 | 0.75 s / 1,800 s |
| 200 | 0.15 s / 5 s |
| 350 | 0.040 s / 0.500 s |
| 600 | 0.020 s / 0.100 s |

Ratings

| Part Number | Current Rating | Housing Color | Typ. Voltage Drop | Cold Resistance | I²t |
|---------------|----------------|---------------|-------------------|-----------------|-----------|
| 168.6785.410_ | 1A | Black | 135 mV | 100 mΩ | 0.83 A²s |
| 168.6785.420_ | 2A | Grey | 110 mV | 43.0 mΩ | 3.31 A²s |
| 168.6785.430_ | 3A | Purple | 110 mV | 27.0 mΩ | 7.45 A²s |
| 168.6785.440_ | 4A | Pink | 110 mV | 21.3 mΩ | 16.7 A²s |
| 168.6785.450_ | 5A | Brown | 105 mV | 16.2 mΩ | 19.8 A²s |
| 168.6785.475_ | 7.5A | Dark Brown | 100 mV | 9.70 mΩ | 44.5 A²s |
| 168.6785.510_ | 10A | Red | 110 mV | 7.40 mΩ | 79.2 A²s |
| 168.6785.515_ | 15A | Blue | 105 mV | 4.50 mΩ | 178 A²s |
| 168.6785.520_ | 20A* | Yellow | 100 mV | 3.10 mΩ | 331 A²s |
| 168.6785.525_ | 25A* | White | 120 mV | 2.60 mΩ | 653 A²s |
| 168.6785.530_ | 30A* | Green | 105 mV | 1.95 mΩ | 1,264 A²s |
| 160.6785.000_ | Shunt* | White | 60 mV | 1.35 mΩ | 1,800 A²s |

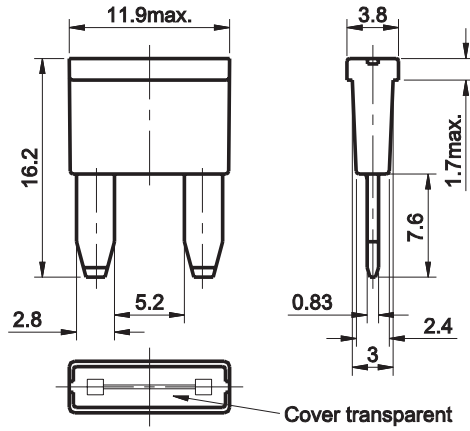
* No UL Certification Available
Corresponding holder see Section "Fuse Holders."

FK1 MINI[®] STYLE BLADE FUSE RATED 32V

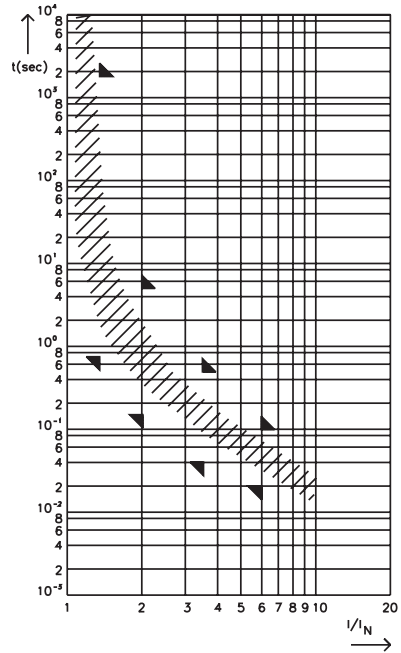


Dimensions

Dimensions in mm



Pre-Arcing Time-Limits



FI = 1.33 (max. operating current: $0.75 \times I_{rat}$ at 23°C)