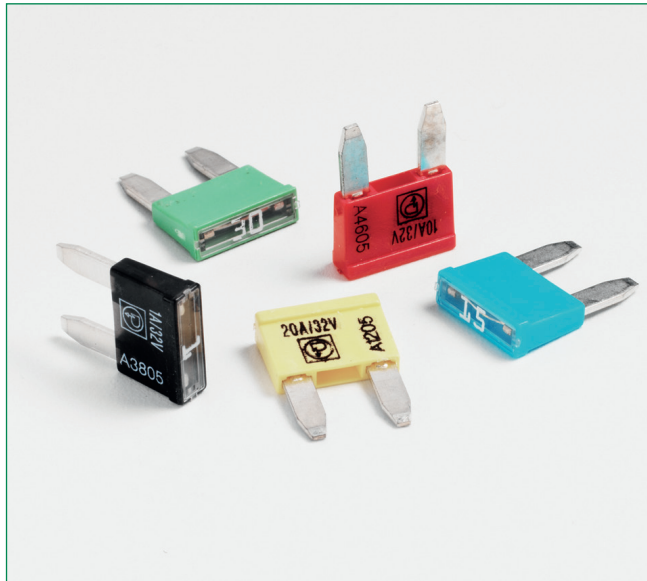


# FK1 MINI® STYLE BLADE FUSE RATED 32V



## Specifications

|                      |  |
|----------------------|--|
| Insulating Body:     | Out of thermoplastic (UL 94-V0, heat-resistant)  |
| Interrupting Rating: | 1000 A @32 VDC   |
| Cover:               | Out of thermoplastic (V0, transparent)<br>Visible melting-element<br>Shunt: Red, not transparent |
| Terminals:           | Blade contacts<br>Copper alloy, gal. Sn plated<br>Edge-protected                                 |
| Complies with:       | ISO 8820-3:2002(E)<br>UL 248 Special Purpose Fuses   |
| cULus Recognized:    | File No. E10480  |

## Ordering Information

| Part Number   | Package Size |
|---------------|--------------|
| 168.6785.xxx2 | 8000         |
| 168.6785.xxx7 | 50           |

## Description

The FK1 32V automotive standard fuse link in a MINI® package. Three part construction with copper contacts for excellent reliability in harsh environment conditions with low voltage drop. Current ratings 1A thru 30A. See-through cover for easy detection of blown fuses.

## Time-Current Characteristics

| % of Rating | Opening Time Min / Max (s) |
|-------------|----------------------------|
| 110         | 360,000 s / -              |
| 135         | 0.75 s / 1,800 s           |
| 200         | 0.15 s / 5 s               |
| 350         | 0.040 s / 0.500 s          |
| 600         | 0.020 s / 0.100 s          |

## Ratings

| Part Number   | Current Rating | Housing Color | Typ. Voltage Drop | Cold Resistance | I²t       |
|---------------|----------------|---------------|-------------------|-----------------|-----------|
| 168.6785.410_ | 1A             | Black         | 135 mV            | 100 mΩ          | 0.83 A²s  |
| 168.6785.420_ | 2A             | Grey          | 110 mV            | 43.0 mΩ         | 3.31 A²s  |
| 168.6785.430_ | 3A             | Purple        | 110 mV            | 27.0 mΩ         | 7.45 A²s  |
| 168.6785.440_ | 4A             | Pink          | 110 mV            | 21.3 mΩ         | 16.7 A²s  |
| 168.6785.450_ | 5A             | Brown         | 105 mV            | 16.2 mΩ         | 19.8 A²s  |
| 168.6785.475_ | 7.5A           | Dark Brown    | 100 mV            | 9.70 mΩ         | 44.5 A²s  |
| 168.6785.510_ | 10A            | Red           | 110 mV            | 7.40 mΩ         | 79.2 A²s  |
| 168.6785.515_ | 15A            | Blue          | 105 mV            | 4.50 mΩ         | 178 A²s   |
| 168.6785.520_ | 20A*           | Yellow        | 100 mV            | 3.10 mΩ         | 331 A²s   |
| 168.6785.525_ | 25A*           | White         | 120 mV            | 2.60 mΩ         | 653 A²s   |
| 168.6785.530_ | 30A*           | Green         | 105 mV            | 1.95 mΩ         | 1,264 A²s |
| 160.6785.000_ | Shunt*         | White         | 60 mV             | 1.35 mΩ         | 1,800 A²s |

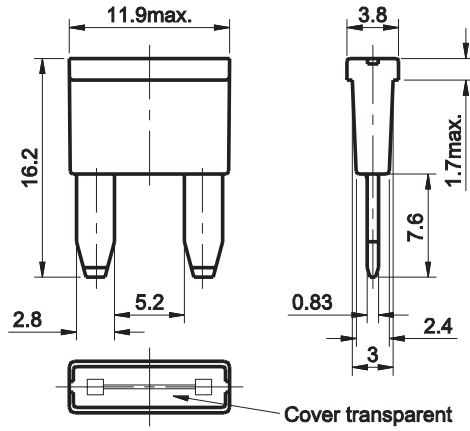
\* No UL Certification Available  
Corresponding holder see Section "Fuse Holders."

# FK1 MINI<sup>®</sup> STYLE BLADE FUSE RATED 32V

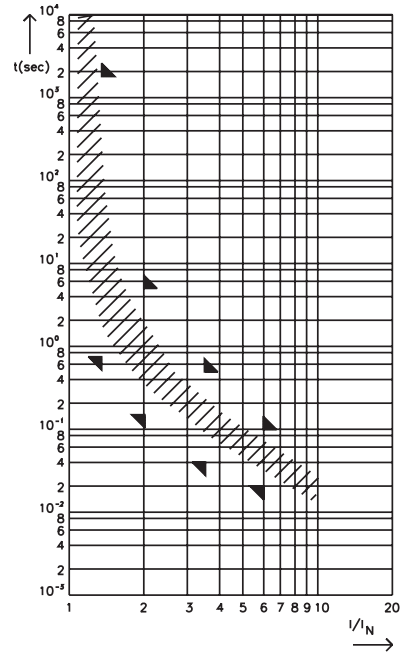


## Dimensions

Dimensions in mm



## Pre-Arcing Time-Limits



FI = 1.33 (max. operating current:  $0.75 \times I_{rat}$  at 23°C)