

FKS ATO® STYLE BLADE FUSE RATED 32V



Description

The FKS-32 is an ATO® style blade fuse rated at 32V, featuring a three part construction with copper contacts for excellent reliability in harsh environment conditions and low voltage drop. Current ratings 1A thru 40A. With see-through cover for easy detection of blown fuses.

Ratings

Part Number	Current Rating	Housing Color	Typ. Voltage Drop Littelfuse max.	Cold Resistance	I ² t
162.6185.410_	1 A*	Black	150 mV	108 mΩ	2.00 A ² s
162.6185.420_	2 A*	Grey	130 mV	47.2 mΩ	8.00 A ² s
162.6185.430_	3 A	Purple	140 mV	30.5 mΩ	15.0 A ² s
162.6185.440_	4 A	Pink	120 mV	22.5 mΩ	25.0 A ² s
164.6185.450_	5 A	Brown	145 mV	16.5 mΩ	35.0 A ² s
164.6185.475_	7.5 A	Dark Brown	115 mV	11.5 mΩ	60.0 A ² s
164.6185.510_	10 A	Red	95 mV	6.80 mΩ	110 A ² s
164.6185.515_	15 A	Blue	90 mV	4.50 mΩ	250 A ² s
164.6185.520_	20 A	Yellow	90 mV	3.40 mΩ	648 A ² s
164.6185.525_	25 A	White	80 mV	2.50 mΩ	600 A ² s
164.6185.530_	30 A	Green	80 mV	1.85 mΩ	1,070 A ² s
162.6185.535_	35 A	Dark Green	75 mV	1.50 mΩ	1,600 A ² s
162.6185.540_	40 A	Orange	100 mV	1.35 mΩ	2,000 A ² s
160.6185.000_	Shunt*	White	42 mV	0.73 mΩ	9,000 A ² s

* Not mentioned in the standards
Corresponding holder see Section "Fuse Holders."

Specifications

Interrupting Rating:	1000 A @32 VDC
Insulating Body:	Out of thermoplastic (UL 94-V0, heat-resistant)
Cover:	Out of thermoplastic (V0, transparent), Visible melting-element Shunt: red, not transparent
Terminals:	Blade contacts Copper alloy, gal. Sn plated Edge-protected
Complies with:	ISO 8820-3:2002(E) UL 248 Supplemental Fuses
cULus Recognized:	File No. E10480

Ordering Information

Part Number	Package Size
164.6185.xxx2	2000
162.6185.xxx2	2000
162.6185.xxx6	100

Time-Current Characteristics

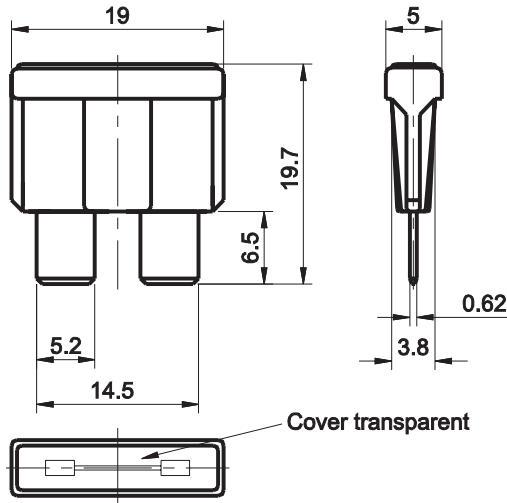
% of Rating	Opening Time Min / Max (s)
110	360,000 s / -
135	0.750 s / 1,800 s
200	0.150 s / 5 s
350	0.040 s / 0.500 s
600	0.020 s / 0.100 s

FKS ATO® STYLE BLADE FUSE RATED 32V

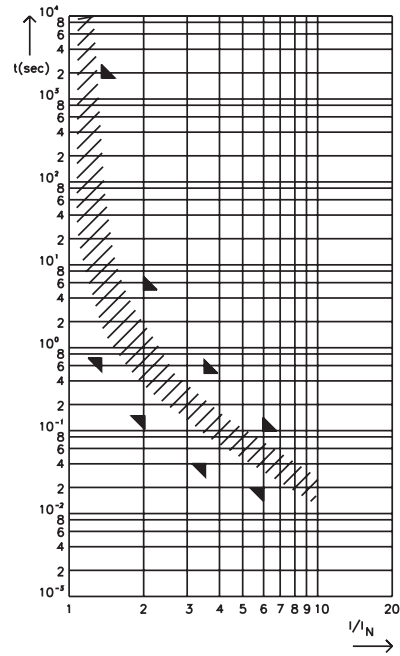


Dimensions

Dimensions in mm



Pre-Arcing Time-Limits



FI = 1.33 (max. operating current: $0.75 \times I_{\text{rat}}$ at 23°C)