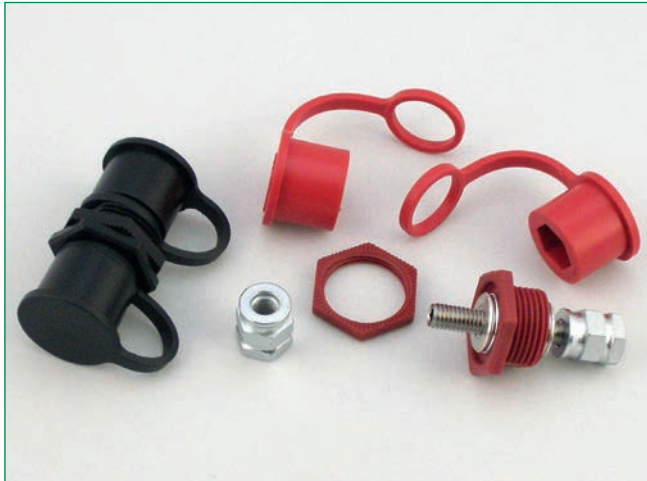


HIGH CURRENT SINGLE STUD FEED-THRU

RoHS



Description

Our 3/8" pass-thru stud has a high electrical rating and low resistance due to a large cross-sectional contact area. It also uses highly conductive materials to outperform the competition.

This pass-thru stud boasts high installation torque values to allow the use of large cable sizes for high current applications. Stud caps are included to protect from accidental shorts.

The pass-thru stud is available with red or black body and stud cap to help color-code circuits in the vehicle. A plastic body locknut ensures quick and easy firewall-mount installation without the need for additional hardware.

Ratings

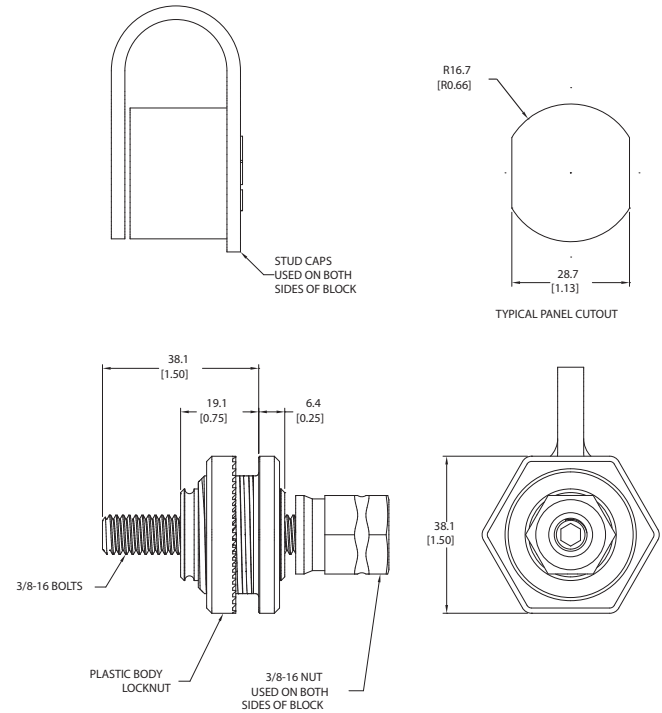
Part Number	Color
JBPT0001Z	Red
JBPT0002Z	Black

Specifications

Rating:	400A
Locknut Torque:	54.2 Nm
Body Mounting Nut Torque:	13.6 Nm
Materials:	Body-Nylon 66 (120°C) Contact - Copper 110 Studs - Zinc-plated steel Locknut - Zinc-plated steel Body nut - Nylon 66 Stud caps - PVC
Operating Temperature Range:	-40°C - 125°C

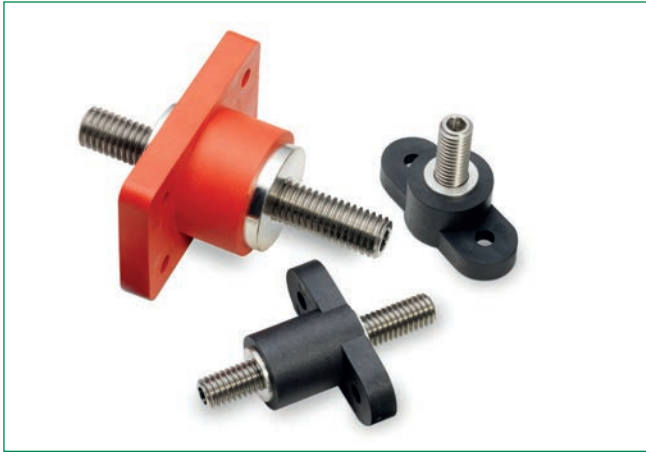
Dimensions

Dimensions in mm



SINGLE STUD JUNCTION BLOCKS (FEED-THRU & NON-FEED-THRU)

RoHS



Specifications

Materials:	Body: UL 94V-0 Thermoplastic Stud: Stainless steel Conductive Core: Plated copper Lockwashers and nuts available;
Hardware:	
Thread Sizes:	Various available options
Operating Temperature Range:	-40°C - 125°C

Description

Junction Blocks are used as electrical connection points for the distribution of power or ground. These blocks can simplify cabling & architectures, and serve as convenient power tap points. Feed-thru versions enable firewall-mount applications and help reduce wiring costs and overall space required for cable routing.

Junction blocks are available in various thread sizes and lengths. Lock washers and nuts are included with each block.

SINGLE STUD JUNCTION BLOCKS (FEED-THRU & NON-FEED-THRU)

RoHS

Dimensions

Dimensions in mm

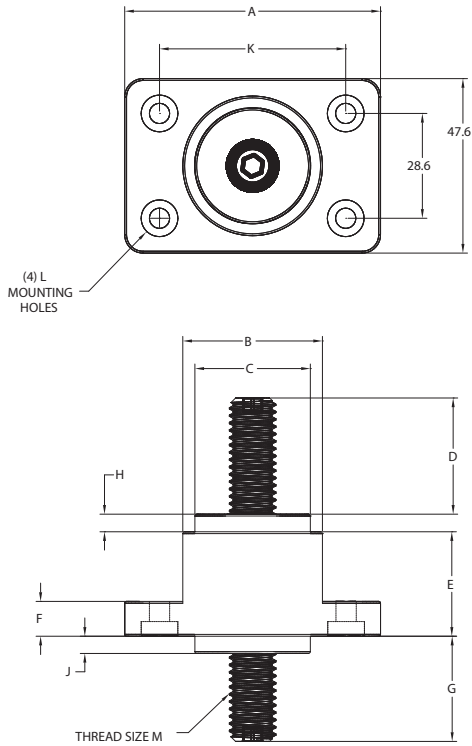


FIGURE 1

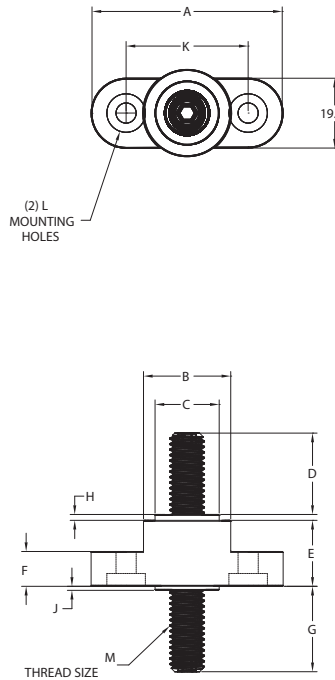


FIGURE 2

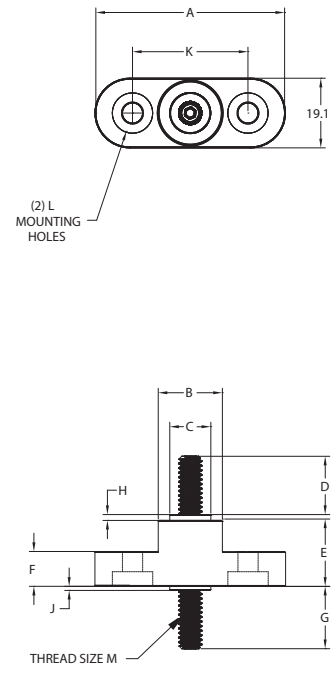


FIGURE 3

PART NUMBER	FIGURE	A	B	C	D	E	F	G	H	J	K	L	M	COLOR
JBPT2P01ZXR	1	69.8	38.1	31.7	31.7	28.6	9.5	28.6	4.8	4.8	50.8	ø5.6 hole with ø11.2 C'bore x 4.1 deep	½-13	RED
JBPT2N02ZXB	1	69.8	36.6	31.7	38.1	28.6	9.5	NONE	4.8	NONE	50.8	ø5.6	½-13	BLACK
JBPT2N03ZXB	1	69.8	36.3	31.7	38.1	28.6	9.5	NONE	4.8	NONE	50.8	ø5.6	5/16-18	BLACK
JBPT3P01ZXB	2	52.4	23.8	17.5	22.2	17.5	7.9	23.8	1.6	1.6	33.3	ø5.6 hole with ø10.4 C'bore x 3.6 deep	3/8-16	BLACK
JBPT3P02ZXB	2	52.4	22.2	15.9	15.9	28.6	7.9	23.8	1.6	1.6	33.3	ø5.6 hole with ø10.4 C'bore x 3.6 deep	3/8-16	BLACK
JBPT3N03ZXB	2	54.0	24.9	15.9	22.2	17.5	7.9	NONE	1.6	NONE	34.9	ø5.6 hole with ø9.4 C'bore x 3.6 deep	3/8-16	BLACK
JBPT3N03ZXR	2	54.0	24.9	15.9	22.2	17.5	7.9	NONE	1.6	NONE	34.9	ø5.6 hole with ø9.4 C'bore x 3.6 deep	3/8-16	RED
JBPT4P01ZXB	3	52.4	17.5	11.2	15.9	17.5	7.9	17.5	1.6	1.6	33.3	ø5.6 hole with ø10.4 C'bore x 3.6 deep	¼-20	BLACK