

JCASE® CARTRIDGE FUSE RATED 32V



Specifications

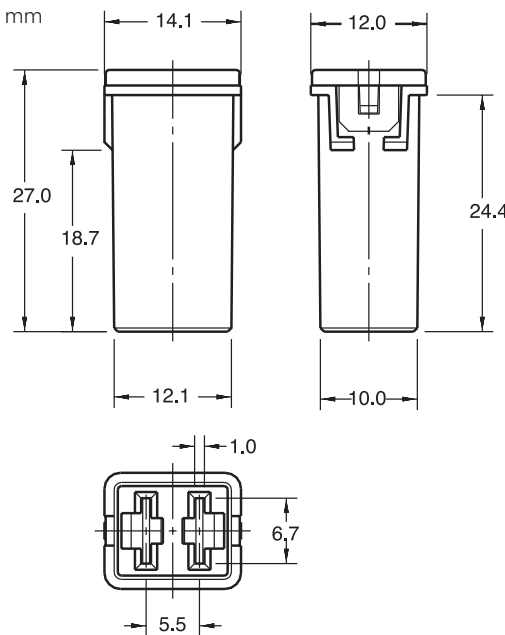
Voltage Rating:	32 VDC
Interrupting Rating:	1000A @ 32 VDC
Operating Temperature Range:	-40°C to + 125°C
Insertion Force:	53N max. (12 lb.)
Extraction Force:	9N min. (2 lb.)

Ordering Information

Part Number	Package Size
0495xxx.T	10
0495xxx.U	500
0495xxx.Z	2200

Dimensions

Dimensions in mm



Description

The JCASE® is a cartridge style fuse with female terminal design. JCASE® provides both increased time delay and low voltage drop to protect high current circuits. JCASE® has the ability to handle inrush currents. The JCASE® was designed and patented by Littelfuse.

Time-Current Characteristics

% of Rating	Opening Time Min / Max (s)
110	360,000 s / -
135	60 s / 1800 s
200	4 s / 60 s
350	0.200 s / 7 s
600	0.040 s / 1 s

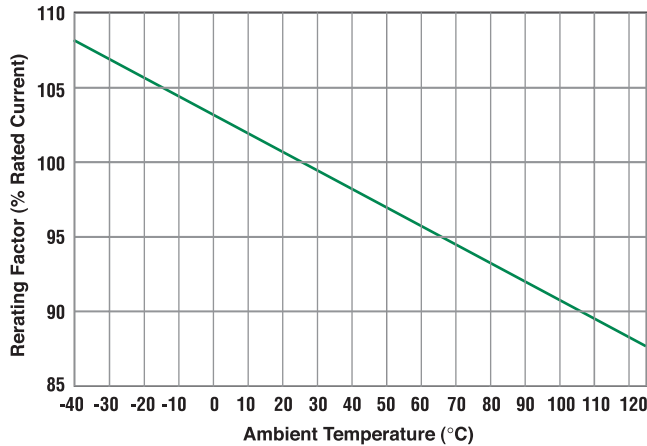
Ratings

Part Number	Current Rating	Housing Color	Typ. Voltage Drop	Cold Resistance	I²t
0495020_	20 A	Blue	106 mV	4.29 mΩ	1750 A²s
0495025_	25 A	White	101 mV	3.28 mΩ	3220 A²s
0495030_	30 A	Pink	91 mV	2.12 mΩ	1480 A²s
0495040_	40 A	Green	87 mV	1.30 mΩ	3650 A²s
0495050_	50 A	Red	88 mV	0.99 mΩ	8750 A²s
0495060_	60 A	Yellow	87 mV	0.76 mΩ	19500 A²s

Corresponding holder see Section "Fuse Holders."

JCASE[®] CARTRIDGE FUSE RATED 32V

Temperature Derating Curve



Time-Current Characteristic Curves

