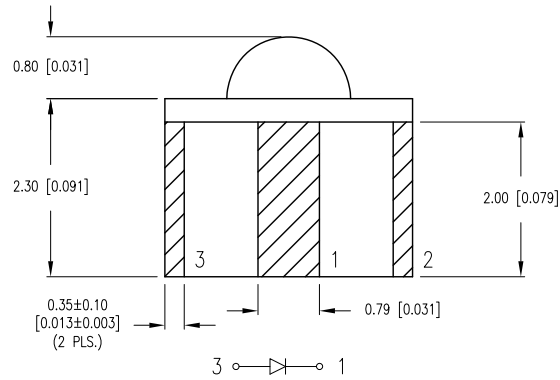
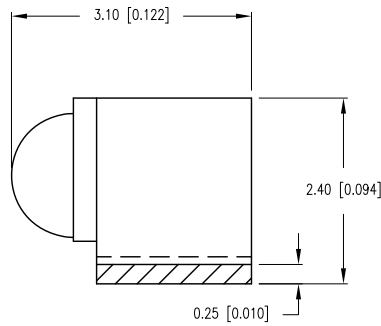
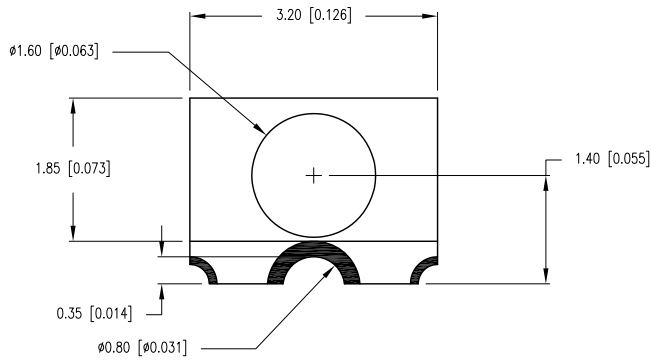
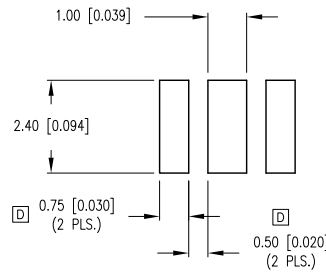


PART NUMBER	SMF-2432SYC-TR	REV.	E
DATE	E.C.N. NUMBER AND REVISION COMMENTS		REV.
8.30.01	E.C.N. #10781.		A
9.23.02	E.C.N. #10912.		B
01.15.07	E.C.N. #11148		C
11.06.08	E.C.N. #11540.		D
10.21.13	E.C.N. #11882.		E



RECOMMENDED SOLDER PAD LAYOUT

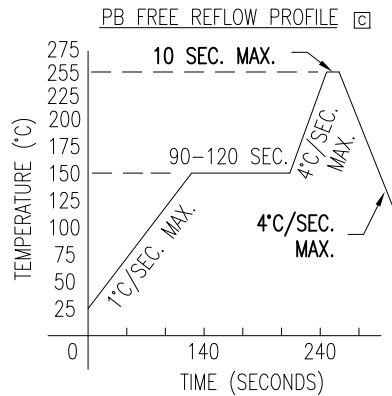
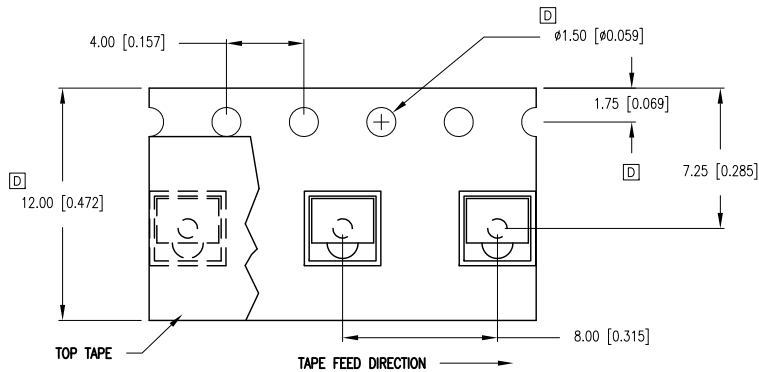


ELECTRO-OPTICAL CHARACTERISTICS TA =25°C If= 20mA					
PARAMETER	MIN	TYP.	MAX	UNITS	TEST COND
PEAK WAVELENGTH		590		nm	
FORWARD VOLTAGE		2.1	2.8	Vf	
REVERSE VOLTAGE	5.0			Vr	Ir=100µA
AXIAL INTENSITY		170		mcd	If=20mA
VIEWING ANGLE		110		2x theta	
EMITTED COLOR:	YELLOW				
EPOXY LENS FINISH:	WATER CLEAR				

LIMITS OF SAFE OPERATION AT 25°C

PARAMETER	MAX	UNITS
PEAK FORWARD CURRENT*	160	mA
STEADY CURRENT	30	mA
POWER DISSIPATION	100	mW
DERATE FROM 25°C	-1.2	mW/°C
OPERATING TEMP.	-25 TO +75	°C
STORAGE TEMP.	-30 TO +85	°C

\* t<10µs



NOTES:  
 [B] 1. 500 PIECES PER REEL.

\*UNLESS OTHERWISE SPECIFIED TOLERANCES PER DECIMAL PRECISION ARE: X=±1 (±0.039), X.X=±0.5 (±0.020), X.XX=±0.25 (±0.010), X.XXX=±0.127 (±0.005). LEAD SIZE=±0.05 (±0.002), LEAD LENGTH=±0.75 (±0.030). MIN.= +DECIMAL PRECISION MAX.= +0.00 -0.00 DECIMAL PRECISION