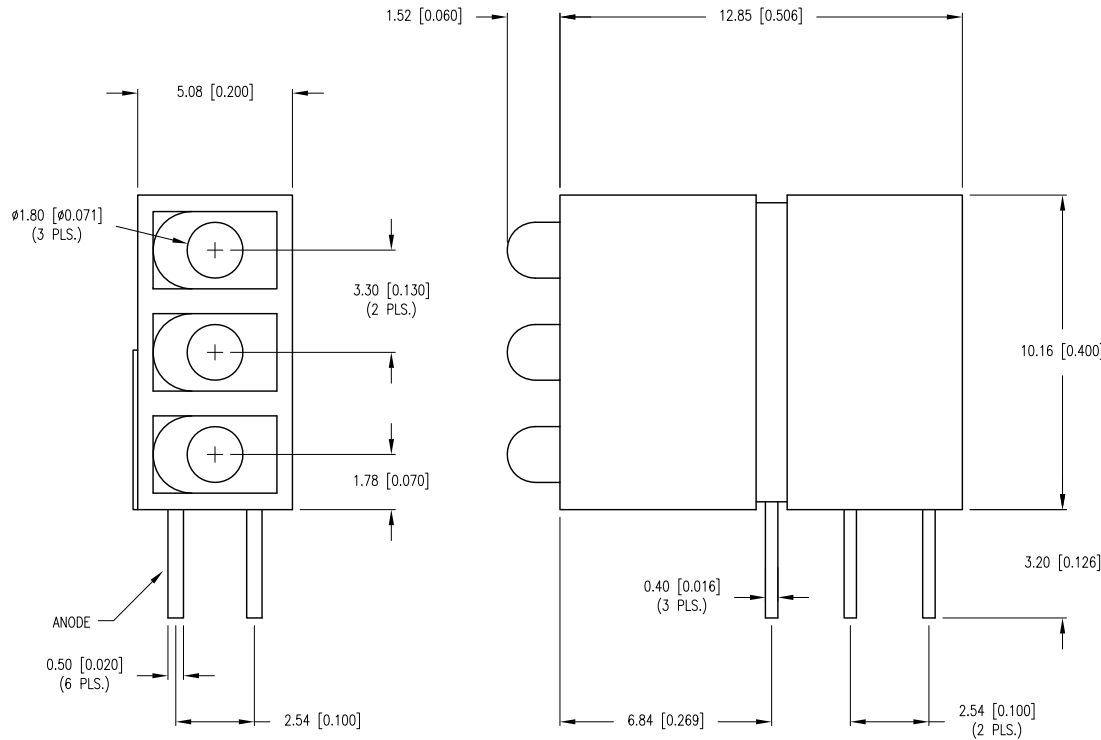


PART NUMBER	SSF-LXH513GGYD	REV.	A
DATE	E.C.N. NUMBER AND REVISION COMMENTS		REV.
02.04.13	E.C.N. #10BRDR. & REDRAWN/ E.C.N. #11851.		A



ELECTRO-OPTICAL CHARACTERISTICS  $T_a=25^{\circ}\text{C}$   $I_f=20\text{mA}$

PARAMETER	GREEN	GREEN	YELLOW	UNITS	TEST COND
PEAK WAVELENGTH	565	565	585	nm	
FORWARD VOLTAGE (TYP.)	2.2	2.2	2.1	Vf	
FORWARD VOLTAGE (MAX.)	2.6	2.6	2.8	Vf	
REVERSE VOLTAGE	5.0	5.0	5.0	Vr	$I_r=100\mu\text{A}$
AXIAL INTENSITY (TYP)	6	6	6	mcd	$I_f=20\text{mA}$
VIEWING ANGLE	70	70	70	2x theta	
LED POSITION:	1	2	3		
LENS FINISH:	DIFFUSED SAME AS EMITTED COLOR				

LIMITS OF SAFE OPERATION AT  $25^{\circ}\text{C}$

PARAMETER	COLORS	MAX	UNITS
PEAK FORWARD CURRENT*		150	mA
STEADY CURRENT	(G/Y)	25/30	mA
POWER DISSIPATION		105	mW
DERATE FROM $25^{\circ}\text{C}$		-1.6	mW/ $^{\circ}\text{C}$
OPERATING TEMP.		-40 TO +85	$^{\circ}\text{C}$
STORAGE TEMP.		-40 TO +85	$^{\circ}\text{C}$
SOLDERING TEMP.		+260	$^{\circ}\text{C}$
2.0mm FROM BODY		3	SEC.

\*  $t < 10\mu\text{s}$

\*UNLESS OTHERWISE SPECIFIED TOLERANCES PER DECIMAL PRECISION ARE: X= $\pm 1$  ( $\pm 0.039$ ), X.X= $\pm 0.5$  ( $\pm 0.020$ ), X.XX= $\pm 0.25$  ( $\pm 0.010$ ), X.XXX= $\pm 0.127$  ( $\pm 0.005$ ). LEAD SIZE= $\pm 0.05$  ( $\pm 0.002$ ), LEAD LENGTH= $\pm 0.75$  ( $\pm 0.030$ ). MIN.=  $^{+0.00}$ / $^{-0.00}$  DECIMAL PRECISION MAX.=  $^{+0.00}$ / $^{-0.00}$  DECIMAL PRECISION



290 E. HELEN ROAD  
 PALATINE, IL 60067-6976  
 PHONE: +1.847.359.2790  
 FAX: +1.847.359.6538  
 WEB: WWW.LUMEX.COM  
 MEMBER OF ITW PHOTONICS GROUP

T-1.8mm LED RIGHT ANGLE THREE HIGH, FAULT INDICATOR, POS. 1,2: GREEN, POS.3: YELLOW, EMITTED COLOR DIFFUSED.

\*\*THE SPECIFICATIONS MAY CHANGE AT ANY TIME WITHOUT NOTICE DUE TO NEW MATERIALS OR PRODUCT IMPROVEMENT.\*\*

CONFIDENTIAL INFORMATION  
 THE INFORMATION CONTAINED IN THIS DOCUMENT IS THE PROPERTY OF LUMEX INC. EXCEPT AS SPECIFICALLY AUTHORIZED IN WRITING BY LUMEX INC., THE HOLDER OF THIS DOCUMENT SHALL KEEP ALL INFORMATION CONTAINED HEREIN CONFIDENTIAL AND SHALL PROTECT SAME IN WHOLE OR IN PART FROM DISCLOSURE AND DISSEMINATION TO ALL THIRD PARTIES.

DATE:	02.04.13	DRAWN BY:	MA
PAGE:	1 OF 1	CHKD BY:	KF
SCALE:	NTS	APRVD BY:	KF
UNIT:	mm [INCH]		(Pb)